

BATAVIA

MAXPACK 18V

Twinbrush

Doppelbürste

Double brosse

Dubbele borstel

Spazzola doppia

Cepillo doble

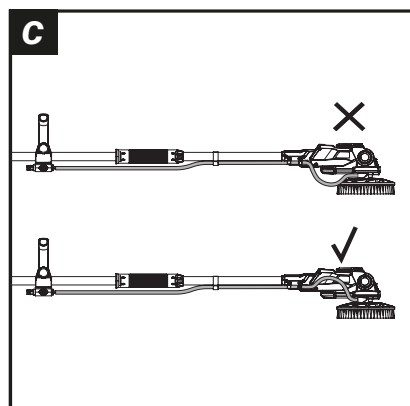
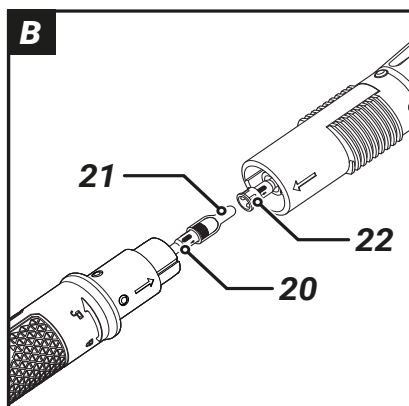
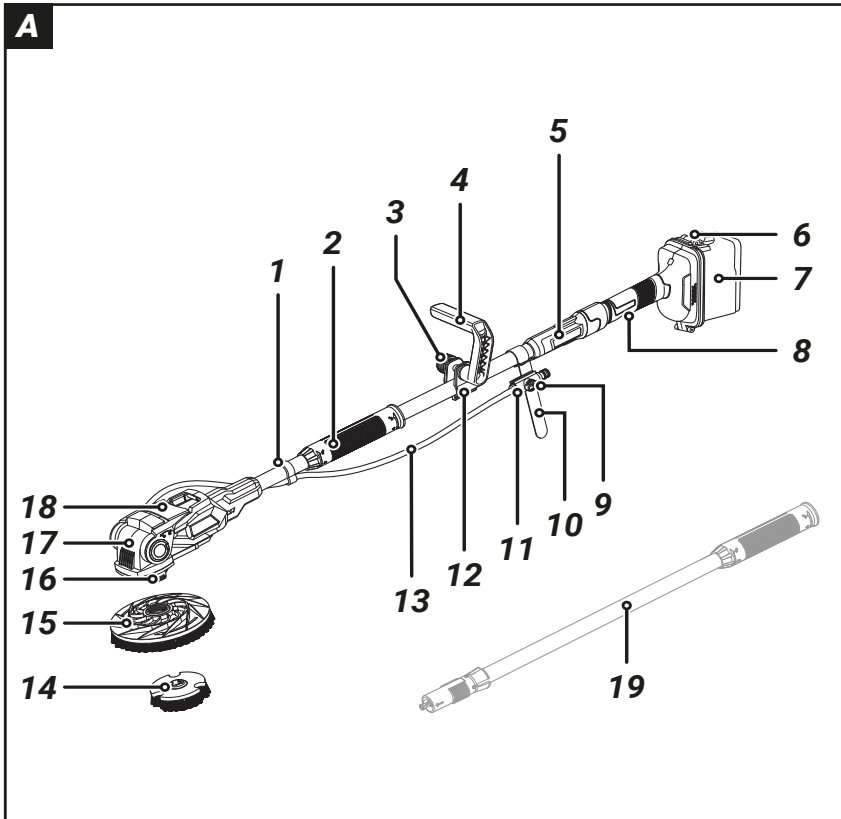
Escova dupla

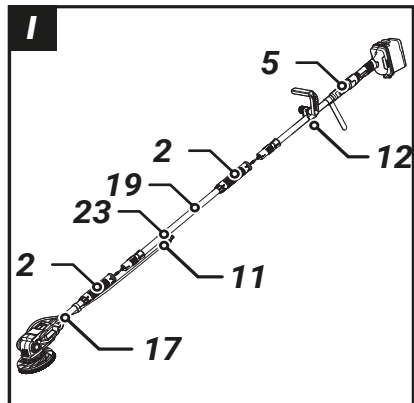
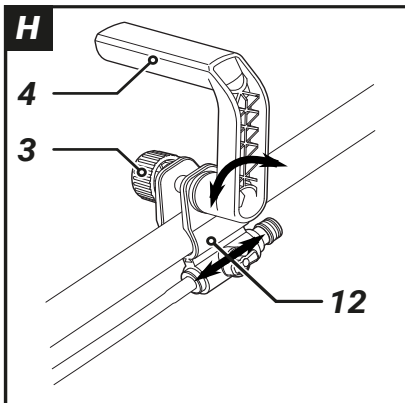
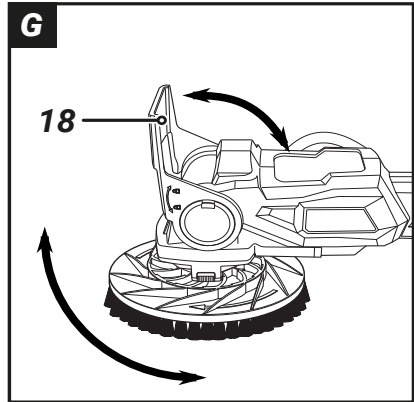
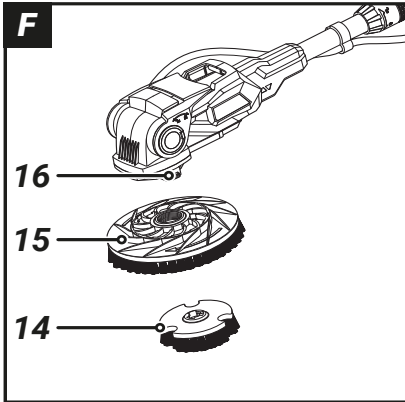
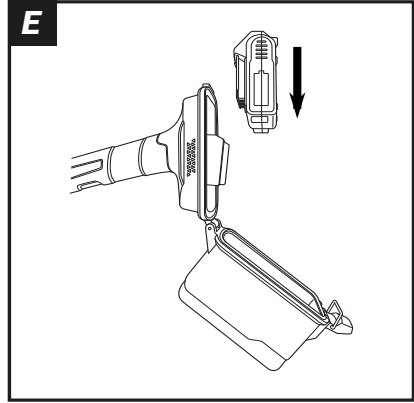
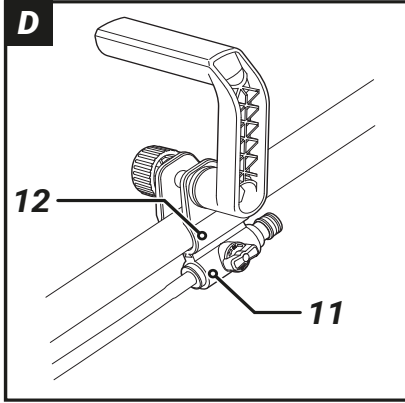
Szczotka podwójna



Operating instructions
Bedienungsanleitung (Original)
Mode d'emploi
Gebruiksaanwijzing
Istruzioni di Funzionamento
Manual de usuario
Instruções de funcionamento
Instrukcja

Model: BT-CTB001
Item-No.: 7064170
www.bataviapower.com





Overview

- 1 Retaining clip
- 2 Grip sleeve
- 3 Locking screw
- 4 Extra handle
- 5 Power supply unit
- 6 Locking clip
- 7 Battery cover
- 8 ON/OFF switch
- 9 Stopcock
- 10 Velcro tape
- 11 Hose adapter
- 12 Attachment clip
- 13 Hose
- 14 Inner part of the brush
- 15 Outer part of the brush
- 16 Spindle lock button
- 17 Motor unit
- 18 Locking lever
- 19 Extension pole (optional accessory)
- 20 Socket
- 21 Tug strap
- 22 Plug

Übersicht

- 1 Halteclip
- 2 Griffhülse
- 3 Feststellschraube
- 4 Zusatzhandgriff
- 5 Stromversorgungseinheit
- 6 Spannverschluss
- 7 Akkuabdeckung
- 8 Ein-/Ausschalter
- 9 Absperrhahn
- 10 Klettband
- 11 Schlauchadapter
- 12 Befestigungsclip
- 13 Wasserschlauch
- 14 Bürsteninnenteil
- 15 Bürstenaußenteil
- 16 Wellenblockierknopf
- 17 Motoreinheit
- 18 Feststellhebel
- 19 Verlängerung (optionales Zubehör)
- 20 Buchse
- 21 Zuglasche
- 22 Stecker

Vue d'ensemble

- 1 Clip de maintien
- 2 Manchon-poignée
- 3 Vis de blocage
- 4 Poignée auxiliaire
- 5 Bloc d'alimentation électrique
- 6 Clip de verrouillage
- 7 Couvercle de la batterie
- 8 Interrupteur marche/arrêt
- 9 Robinet d'arrêt
- 10 Bande autoagrippante
- 11 Adaptateur de tuyau
- 12 Clip de fixation
- 13 Tuyau d'eau
- 14 Brosse intérieure
- 15 Brosse extérieure
- 16 Bouton de blocage de l'axe
- 17 Moteur
- 18 Levier de blocage
- 19 Rallonge (accessoire en option)
- 20 Douille
- 21 Tirette
- 22 Fiche

Overzicht

- 1 Borgclip
- 2 Grijfhuls
- 3 Vergrendelschroef
- 4 Extra handgreep
- 5 Voedingseenheid
- 6 Sluiting
- 7 Accu-afdekking
- 8 Aan-/uitschakelaar
- 9 Afsluitkraan
- 10 Klittenband
- 11 Slangadapter
- 12 Bevestigingsclip
- 13 Waterslang
- 14 Binnendeel borstel
- 15 Buitendeel borstel
- 16 Asvergrendelingsknop
- 17 Motoreenheid
- 18 Vergrendelingshendel
- 19 Verlengstuk (optioneel toebehoren)
- 20 Aansluiting
- 21 Treklipje
- 22 Stekker

Panoramica

- 1 Clip di fissaggio
- 2 Boccola di presa
- 3 Vite di regolazione
- 4 Impugnatura supplementare
- 5 Unità alimentazione
- 6 Chiusura di serraggio
- 7 Coperchio batteria
- 8 Interruttore on/off
- 9 Rubinetto d'isolamento
- 10 Nastro in velcro
- 11 Adattatore per tubo
- 12 Clip di bloccaggio
- 13 Tubo dell'acqua
- 14 Parte interna della spazzola
- 15 Parte esterna della spazzola
- 16 Tasto di bloccaggio albero
- 17 Unità motore
- 18 Leva di regolazione
- 19 Prolunga (accessorio opzionale)
- 20 Presa
- 21 Linguetta
- 22 Spina

Vista general

- 1 Clip de sujeción
- 2 Casquillo del mango
- 3 Tornillo de fijación
- 4 Asidero adicional
- 5 Unidad de alimentación eléctrica
- 6 Gancho sujetador
- 7 Cubierta de la batería
- 8 Botón conexión/desconexión
- 9 Llave de cierre
- 10 Velcro
- 11 Adaptador de manguera
- 12 Clip de fijación
- 13 Manguera de agua
- 14 Pieza interior del cepillo
- 15 Pieza exterior del cepillo
- 16 Botón de bloqueo del eje
- 17 Unidad del motor
- 18 Palanca de bloqueo
- 19 Prolongación (accessorio opcional)
- 20 Conector
- 21 Tirador
- 22 Enchufe

Vista geral

- 1 Mola de retenção
- 2 Manga do punho
- 3 Parafuso de bloqueio
- 4 Punho lateral
- 5 Fonte de alimentação
- 6 Fecho de mola
- 7 Tampa da bateria
- 8 Interruptor ligar/desligar
- 9 Válvula de fecho
- 10 Fita tipo velcro
- 11 Adaptador de mangueira
- 12 Mola de fixação
- 13 Mangueira de água
- 14 Parte interior da escova
- 15 Parte exterior da escova
- 16 Botão de bloqueio do eixo
- 17 Unidade do motor
- 18 Alavanca de bloqueio
- 19 Extensão (acessório opcional)
- 20 Conector fêmea
- 21 Patilha de puxar
- 22 Conector macho

Przegląd

- 1 Klips mocujący
- 2 Tuleja uchwytu
- 3 Śruba blokująca
- 4 Dodatkowy uchwyt
- 5 Jednostka zasilająca
- 6 Zatrask
- 7 Pokrywa akumulatora
- 8 Włącznik/wyłącznik
- 9 Zawór odcinający
- 10 Taśma na rzepy
- 11 Adapter węża
- 12 Klips mocujący
- 13 Wąż do wody
- 14 Część wewnętrzna szczotki
- 15 Część zewnętrzna szczotki
- 16 Przycisk blokujący wał
- 17 Jednostka silnika
- 18 Dźwignia blokująca
- 19 Przedłużka (opcjonalny element wyposażenia)
- 20 Gniazdo
- 21 Języczek
- 22 Wtyczka

Table of content

1	Explanation of the symbols.....	6
2	Additional safety instructions.....	6
3	Contents of packing.....	6
4	Before the first use.....	6
5	Intended use.....	7
6	Use.....	7
7	Maintenance, cleaning and storing.....	8
8	Technical data.....	8
9	Accessories - optionally available.....	9
10	Disposal.....	9
11	Declaration of conformity.....	9

Inhaltsverzeichnis

1	Erläuterung der Symbole.....	10
2	Zusätzliche Sicherheitshinweise.....	10
3	Verpackungsinhalt.....	10
4	Vor der ersten Benutzung.....	10
5	Bestimmungsgemäßer Gebrauch.....	11
6	Bedienung.....	11
7	Wartung, Reinigung und Lagerung.....	12
8	Technische Daten.....	13
9	Zubehör - optional erhältlich.....	13
10	Entsorgung.....	13
11	Konformitätserklärung.....	14

Table des matières

1	Explication des symboles.....	15
2	Consignes de sécurité supplémentaires.....	15
3	Contenu de l'emballage.....	15
4	Avant la première utilisation.....	16
5	Utilisation conforme.....	16
6	Utilisation.....	16
7	Entretien, nettoyage et stockage.....	17
8	Caractéristiques techniques.....	18
9	Accessoires – disponibles en option.....	18
10	Élimination.....	18
11	Déclaration de conformité.....	19

Inhoudsopgave

1	Verklaring van de symbolen.....	20
2	Extra veiligheidsinstructies.....	20
3	Verpakkingseenheid.....	20
4	Voor het eerste gebruik.....	20
5	Beoogd gebruik.....	21
6	Bediening.....	21
7	Onderhoud, reiniging en opslag.....	22
8	Technische gegevens.....	23
9	Toebehoren - optioneel verkrijgbaar.....	23
10	Afvoeren.....	23
11	Conformiteitsverklaring.....	24

Sommario

1	Spiegazione dei simboli.....	25
2	Avvertenze di sicurezza addizionali.....	25
3	Contenuto dell'imballaggio.....	25
4	Prima del primo utilizzo.....	26
5	Uso previsto.....	26
6	Utilizzo.....	26
7	Manutenzione, pulizia e immagazzinamento.....	27
8	Dati tecnici.....	28
9	Accessorio - disponibile opzionalmente.....	28
10	Smaltimento.....	28
11	Dichiarazione di conformità.....	29

Índice

1	Explicación de los símbolos.....	30
2	Indicaciones de seguridad adicionales...	30
3	Contenido del embalaje.....	30
4	Antes del primer uso.....	30
5	Uso conforme al fin previsto.....	31
6	Manejo.....	31
7	Mantenimiento, limpieza y almacenamiento.....	32
8	Datos técnicos.....	33
9	Accesorios - disponibles opcionalmente.....	33
10	Eliminación.....	33
11	Declaración de conformidad.....	34

Índice

1	Explicação dos símbolos.....	35
2	Instruções de segurança adicionais.....	35
3	Conteúdo da embalagem.....	35
4	Antes da primeira utilização.....	36
5	Utilização adequada.....	36
6	Operação.....	36
7	Manutenção, limpeza e armazenamento.....	37
8	Dados técnicos.....	38
9	Acessório - opcionalmente disponível....	38
10	Eliminação.....	38
11	Declaração de Conformidade.....	39

Spis treści

1	Objaśnienie symboli.....	40
2	Dodatkowe informacje dotyczące bezpieczeństwa.....	40
3	Zawartość opakowania.....	40
4	Przed pierwszym użyciem.....	41
5	Użytkowanie zgodne z przeznaczeniem.....	41
6	Obsługa.....	41
7	Konserwacja, czyszczenie i przechowywanie.....	42
8	Dane techniczne.....	43
9	Elementy wyposażenia – dostępne jako opcja.....	43
10	Utylizacja.....	43
11	Deklaracja zgodności.....	44

Dear customer

Please familiarize yourself with the proper usage of the device by reading and following each chapter of this manual, in the order presented. Keep these operating instructions for further reference.

Please read the enclosed "General safety instructions for power tools" and all additional safety instructions in this operating instructions!

This manual contains important information on operating and handling the device. Keep these operating instructions for further reference. Please pass it on along with the unit if it is handed over to a third party.

The Maxxpack batteries and chargers are available online and in participating stores.

1. Explanation of the symbols

The following symbols are used in the user manual or on the product:



Warning! To reduce the risk of injury, the user must read the instruction manual.



Denotes risk of personal injury, loss of life or damage to the tool in case of non-observance of the instructions in this manual.



Wear safety glasses.



CE stands for "Conformité Européenne", which means "In accordance with EU Regulations". With the CE marking, the manufacturer confirms that this Electric tool complies with the applicable European directives.



Do not dispose of electric power tools with domestic refuse.

2. Additional safety instructions

- The device must be used as intended. Observe local conditions and watch out for other people in your vicinity when working with the device.
- Before using the device, check for damages and do not use a damaged

device. Should the device become damaged do not use it and have it repaired by a professional or contact our customer support department. Do not disassemble the device or try repairing it yourself.

- WARNING:** The appliance must not be operated by children or persons who have not been instructed accordingly.
- Persons with limited physical, sensorial or mental abilities are not allowed to use the device, unless they are supervised and briefed for their safety by a qualified person. Keep the device out of reach of children.
- Children must not clean or service the device unsupervised.
- Supervise children to prevent them from playing with the appliance.
- Hold the device firmly and safely when turning it on.
- The appliance must not be operated in explosive atmospheres.
- Always wear eye protection.
- This device is suitable for indoor and outdoor use, but do not use in rain.
- Check to make sure the brush accessory is installed correctly prior to use.
- Do not force the brush into tight spaces during use.
- Do not touch rotating parts when device is in use.

3. Contents of packing

- 1× Twin brush - Dual Power Scrubber (motor unit and power supply unit)
- 1× extra handle including attachment materials
- 1× medium brush (outer part and inner part)
- 1 x user manual

4. Before the first use

Remove the machine and all accessories from the package. Keep the packaging materials out of the reach of small children. There is a danger of suffocation!

Check all parts for damage in transit and do not use a damaged device.

4.1. Assembly

- a. Place the motor unit **(17)** and the power supply unit **(5)** with the tube ends facing each other.
- b. Slightly pull the socket **(20)** using the tug strap **(21)** and the plug **(22)** out of the tube ends. (see **Fig. B**)
- c. Connect the socket and the plug with the arrows pointing towards each other and screw together tightly.
- d. Connect the two tube ends (arrows pointing towards each other) and screw them together with the grip sleeve **(2)**.
- e. Plug the hose **(13)** into the connection on the motor unit. (see **Fig. C**)
- f. Guide the hose through the retaining clip **(1)** and the mount on the motor unit.
Make sure that the hose on the motor unit is long enough so that the adjustable brush head can move without restriction.
- g. Connect the hose adapter **(11)** to the hose.
- h. Slide the hose adapter onto the guide track of the attachment clip **(12)**. (see **Fig. D**)

5. Intended use

This product is intended for cleaning surfaces indoors and outdoors in the domestic sector. The product can be operated dry or with water. It is not intended for permanent commercial use.

The intended use also includes an operation following the operating instructions.

Any use beyond these parameters (different media, applying force) or any changes (reconstruction, no original accessory) can lead to serious risks and is regarded as use that is contrary to the intended purpose.

Only use accessories recommended by supplier.

6. Use

6.1. Inserting/changing the battery

The battery cover protects the battery from moisture and debris.

- a. Only use the device with water when the battery cover is properly closed.
 - b. Make sure the battery cover's seal and rubber edge is clean and dry.
- a. Undo the locking clip **(6)** and open the battery cover **(7)**.
 - b. Insert or take out the battery (see **Fig. E**).
 - c. **Always check the seal before closing the battery cover!**
Remove dirt and foreign objects in the area of the seal and check whether the seal is present and undamaged.
 - d. Close the battery cover and lock it with the locking clip.

6.2. Attaching/changing the brush

- a. Block the shaft with the shaft lock button **(16)** and screw on the outer part of the brush **(15)** in the clockwise direction (see **Fig. F**).
- b. Insert the inner part of the brush **(14)** and lock it in place in the counter-clockwise direction.
- c. To undo the inner part of the brush, unlock it in the clockwise direction and take it off.
- d. Block the shaft with the shaft lock button and unscrew the outer part of the brush in the counter-clockwise direction.

6.3. Adjusting the tilt angle of the brush

When using the device on the ground / floor, the head should not be locked. The head can then move along with the surface to be cleaned.

Only lock the head when using the device above shoulder height.

- a. Lift the locking lever **(18)** all the way (see **Fig. G**).
- b. Adjust the tilt angle to your individual needs and fix it in place by pushing down the locking lever.

Do not push the locking lever through with great force. If the locking lever does not close properly, adjust the inclination of the brush slightly.

6.4. Adjusting the extra handle

- a. Undo the locking screw **(3)**. (see **Fig. H**)

- b. Adjust the position of the attachment clip **(12)** and the tilt of the extra handle **(4)** to your needs and tighten the locking screw again.

6.5. Working with the device

- a. For wet use, close the stopcock and connect the hose adapter to your water supply. Adjust the water quantity with the stopcock (see **Fig. A**).
- b. Press the ON/OFF switch **(8)** to turn the device on.

It is not necessary to hold the ON/OFF switch during use.

Only exert minimal pressure (gentle feed motion) on the device when working. Gently and evenly push the device forwards.

- c. Press the ON/OFF switch again to turn the device off.

6.6. Mounting the extension pole (optional accessory)

The extension pole is an optional accessory and not delivered with the device. Do not use more than one extension pole with the device.

- a. Pull the hose adapter **(11)** off the guide rail of the attachment clip **(12)**. (see **Fig. I**)
- b. Unscrew the grip sleeve **(2)** and pull the two tube ends apart.
- c. Unscrew the fitting and pull the plug **(22)** and the socket **(20)** apart.
- d. Place the motor unit **(17)** and the extension pole **(19)** with the tube ends facing each other.
- e. Slightly pull the socket **(20)** using the tug strap **(21)** and the plug **(22)** out of the tube ends. (see **Fig. B**)
- f. Connect the socket and the plug with the arrows pointing towards each other and screw together tightly.
- g. Connect the two tube ends (arrows pointing towards each other) and screw them together with the sleeve **(2)**.
- h. Place the power supply unit **(5)** and the extension pole **(19)** with the tube ends facing each other.

- i. Slightly pull the socket **(20)** using the tug strap **(21)** and the plug **(22)** out of the tube ends.
- j. Connect the socket and the plug with the arrows pointing towards each other and screw together tightly.
- k. Connect the two tube ends (arrows pointing towards each other) and screw them together with the sleeve **(2)**.
- l. Slide the hose adapter onto the guide track of the sleeve **(23)**.

7. Maintenance, cleaning and storing

Keep the device and its accessories in good and clean condition to ensure easy and safe working.

Remove the battery pack from the tool before carrying out any adjustment, servicing or maintenance.



If the bristles of the brush are deformed by transport or incorrect storage, immerse the brush in hot (90 degrees Celsius) water for 30 seconds. The bristles of the brush then return to the correct shape.

8. Technical data

Battery type:	18 V, 4000 mAh, Li-Ion
No load speed ($\varnothing 100/180$ mm):	200/400 min ⁻¹
Sound pressure level L_{pA} :	66 dB(A)
Uncertainty K_{pA} :	3 dB(A)
Sound power level L_{WA} :	77 dB(A)
Uncertainty K_{WA} :	3 dB(A)
Hand/arm vibration a_{hb} :	3.91 m/s ²
Uncertainty K:	1.5 m/s ²

8.1. Vibration level

The declared vibration total value and the declared noise emission values have been measured in accordance with a standard test method (EN 62841) and may be used for comparing one tool with another. The declared vibration total value may also be used in a preliminary assessment of exposure.

Warning!

The vibration and noise emission during actual use of the power tool can differ from the declared total value depending on the ways in which the tool is used, in particular, what kind of work piece is machined.

It is necessary to identify safety measures to protect the operator that are based on an estimation of exposure in the actual conditions of use (taking account of all parts of the operating cycle such as the times when the tool is switched off and when it is running idle in addition to the trigger time).

Try to minimize the impact of vibration and noise. Exemplary measures to reduce vibration exposure include wearing gloves while using the tool, limiting working time, and using accessories in good condition.

9. Accessories - optionally available

Item	Item no:
Brush hard (red)	7064253

Thick strong hair for tough spots

Perfect for (ceramic) indoor and outdoor tiles, outdoor wooden furniture, wooden decks, walls, garage doors, and many more

Brush medium (blue)	7064252
----------------------------	----------------

Medium hairs for all round cleaning

Perfect for boats, (ceramic) indoor and outdoor tiles, outdoor wooden furniture, wooden deck, walls, floors, and many more

Brush soft (black)	7064251
---------------------------	----------------

Soft hairs for delicate surfaces

Perfect for boats, caravan/camper, tiles, metal surfaces, mobile homes, and many more

Extension pole	7064279
-----------------------	----------------

Extension of the reach by approx. 85 cm.

10. Disposal

Do not dispose of electric power tools with domestic refuse.

The electric power tool is shipped in packaging to reduce transport damage. This packaging is a raw material and as such can either be reused or can be fed back into the raw

material cycle. The electric power tool and its accessories are made from various materials such as metals and plastics. Take defective components to a special refuse collection point. Ask about these at your specialist shop or local council.

10.1 Batteries

Think of the environment when disposing of batteries. Contact your local authorities to find out where your nearest disposal area is. Do not dispose of batteries with domestic refuse. Do not dispose of by burning, risk of explosion.

11. Declaration of conformity

We, the **Batavia B.V., Weth. Wassebaliestraat 6d, NL-7951 SN Staphorst**, declare by our own responsibility that the product **Twinbrush, Item-No 7064170, Model Nr. BT-CTB001** is according to the basic requirements, which are defined in the European Directives Electromagnetic Compatibility 2014/30/EU (EMC), 2006/42/EC (Machinery), RoHS: 2011/65/EU and their amendments. For the evaluation of conformity, the following harmonized standards were consulted:

EN62841-1:2015+A15;
EN IEC 62841-2-3:2021;
ISO12100:2010;
AfPS GS 2019:01;
EN IEC 55014-1:2021;
EN IEC 55014-2:2021

Staphorst, 1 April 2022

Meino Seinen, QA Representative
 Batavia B.V., Weth. Wassebaliestraat 6d, 7951 SN Staphorst, Netherlands

The product and the user manual may be subject to changes. Technical data may be changed without prior notice.

Sehr geehrte Damen und Herren

Bitte machen Sie sich in der Reihenfolge der Kapitel mit dem Gerät vertraut und bewahren Sie diese Bedienungsanleitung für spätere Zwecke gut auf.

Lesen Sie bitte die beigefügten "Allgemeine Sicherheitshinweise für Elektrowerkzeuge" und alle weiteren Sicherheitshinweise in dieser Betriebsanleitung!

Diese Bedienungsanleitung enthält wichtige Hinweise zur Inbetriebnahme und Handhabung. Legen Sie die Anleitung dem Produkt bei, wenn Sie es an Dritte weitergeben.

Die Maxxpack Akkus und Ladegeräte sind online und in teilnehmenden Geschäften verfügbar.

1. Erläuterung der Symbole

Folgende Symbole werden im Benutzerhandbuch oder auf dem Produkt verwendet:



WARNUNG - Zur Verringerung des Verletzungsrisikos Bedienungsanleitung lesen.



Allgemeines Warnzeichen – Seien Sie aufmerksam und beachten Sie allgemeine Gefahren.



Tragen Sie eine Schutzbrille.



CE steht für "Conformité Européenne", dies bedeutet "Übereinstimmung mit EU Richtlinien". Mit der CE Kennzeichnung bestätigt der Hersteller, dass dieses Elektrowerkzeug den geltenden europäischen Richtlinien entspricht.



Nicht in den Hausmüll entsorgen!

2. Zusätzliche Sicherheitshinweise

- Das Gerät muss bestimmungsgemäß verwendet werden. Achten Sie bei Arbeiten mit dem Gerät auf die örtlichen Gegebenheiten und auf andere Personen in Ihrer Nähe.
- Überprüfen Sie das Gerät vor der Verwendung auf Schäden und verwenden Sie ein beschädigtes Gerät nicht. Sollte das Gerät

beschädigt sein, verwenden Sie es nicht und lassen Sie es von einem Fachmann reparieren oder wenden Sie sich an unseren Kundendienst. Nehmen Sie das Gerät nicht auseinander und versuchen Sie nicht, es selbst zu reparieren.

- Das Gerät darf nicht von Kindern oder Personen bedient werden, die nicht entsprechend unterwiesen wurden.
- Dieses Gerät kann von Personen mit eingeschränkten körperlichen, sensorischen oder geistigen Fähigkeiten oder mangelnder Erfahrung und Kenntnis verwendet werden, wenn sie beaufsichtigt oder unterwiesen werden, das Gerät auf sichere Weise zu benutzen und die damit verbundenen Gefahren zu verstehen. Kinder dürfen nicht mit dem Gerät spielen.
- Reinigung und Wartung dürfen nicht von Kindern ohne Aufsicht durchgeführt werden.
- Beaufsichtigen Sie Kinder, damit sie nicht mit dem Gerät spielen.
- Halten Sie das Gerät beim Einschalten gut und sicher fest.
- Das Gerät darf nicht in explosionsgefährdeten Bereichen betrieben werden.
- Tragen Sie immer einen Augenschutz.
- Dieses Gerät ist für den Innen- und Außenbereich geeignet, darf aber nicht im Regen verwendet werden.
- Vergewissern Sie sich vor dem Gebrauch, dass das Bürstenzubehör richtig installiert ist.
- Drücken Sie die Bürste während des Gebrauchs nicht in enge Räume.
- Berühren Sie keine rotierenden Teile, wenn das Gerät in Gebrauch ist.

3. Verpackungsinhalt

- 1× Twin brush - Akku Bürste (Motoreinheit und Stromversorgungseinheit)
- 1× Zusatzhandgriff inkl. Befestigungsmaterial
- 1× Bürste mittel (Bürstenaußen- und -innenteil)
- 1× Bedienungsanleitung

4. Vor der ersten Benutzung

Nehmen Sie das Gerät und alle Zubehörteile aus der Verpackung. Bewahren Sie das

Verpackungsmaterial außerhalb der Reichweite von Kindern auf. Es besteht Erstickungsgefahr! Überprüfen Sie alle Teile auf Transportschäden und verwenden Sie ein beschädigtes Gerät nicht.

4.1. Montage

- a. Die Motoreinheit **(17)** und die Stromversorgungseinheit **(5)** mit den Rohrenden zueinander legen.
- b. Die Buchse **(20)** mit Hilfe der Zuglasche **(21)** und den Stecker **(22)** aus den Rohrenden leicht hervorziehen. (siehe **Abb. B**)
- c. Die Buchse und den Stecker mit zueinander zeigenden Pfeilen zusammenstecken und verschrauben.
- d. Die beiden Rohrenden mit zueinander zeigenden Pfeilen zusammenstecken und mittels der Griffhülse **(2)** verschrauben.
- e. Den Wasserschlauch **(13)** in den Anschluss an der Motoreinheit stecken. (siehe **Abb. C**)
- f. Den Wasserschlauch durch den Halteclip **(1)** und die Halterung an der Motoreinheit führen.
Achten Sie auf eine ausreichende Länge des Wasserschlauchs an der Motoreinheit, damit sich der verstellbare Bürstenkopf uneingeschränkt bewegen kann.
- g. Den Schlauchadapter **(11)** mit dem Wasserschlauch verbinden.
- h. Den Schlauchadapter auf die Führungsschiene des Befestigungsclips **(12)** aufschieben. (siehe **Abb. D**)

5. Bestimmungsgemäßer Gebrauch

Das Produkt ist bestimmt zum Reinigen von Oberflächen in Innenräumen und im Freien im privaten Bereich. Das Produkt kann trocken oder mit Wasser eingesetzt werden. Es ist nicht für den gewerblichen Dauereinsatz vorgesehen.

Zur bestimmungsgemäßen Verwendung gehört auch das Einhalten der Anleitung.

Jede darüber hinausgehende Verwendung (andere Medien, Gewaltanwendung) oder eigenmächtige Veränderung (Umbau, kein Orig-

inal-Zubehör) können Gefahren auslösen und gelten als nicht bestimmungsgemäß.

Verwenden Sie nur vom Lieferanten empfohlenes Zubehör.

6. Bedienung

6.1. Akku einsetzen/wechseln

Die Akkuabdeckung schützt den Akku vor Feuchtigkeit und Verschmutzungen.

- a. Verwenden Sie das Gerät nur mit Wasser, wenn die Akkuabdeckung richtig geschlossen ist.
 - b. Achten Sie darauf, dass die Dichtung und der Gummiring der Akkuabdeckung sauber und trocken sind.
- a. Den Spannverschluss **(6)** lösen und Akkuabdeckung **(7)** öffnen.
 - b. Den Akku einsetzen oder entnehmen (siehe **Abb. E**).
 - c. **Vor dem Schließen der Akkuabdeckung immer die Dichtung prüfen!**
Entfernen Sie Schmutz und Fremdkörper im Bereich der Dichtung und prüfen Sie, ob die Dichtung vorhanden und unbeschädigt ist.
 - d. Die Akkuabdeckung schließen und mit dem Spannverschluss verriegeln.

6.2. Bürste montieren/wechseln

- a. Die Welle mit dem Wellenblockierknopf **(16)** blockieren und das Bürstenaußenteil **(15)** im Uhrzeigersinn verschrauben (siehe **Abb. F**).
- b. Das Bürsteninnenteil **(14)** einsetzen und gegen den Uhrzeigersinn verriegeln.
- c. Zum Lösen das Bürsteninnenteil im Uhrzeigersinn entriegeln und abnehmen.
- d. Die Welle mit dem Wellenblockierknopf blockieren und das Bürstenaußenteil gegen den Uhrzeigersinn abschrauben.

6.3. Neigungswinkel der Bürste einstellen

Bei Verwendung des Geräts auf dem Boden sollte der Kopf nicht fixiert werden. Der Kopf kann sich dann mit der zu reinigenden Fläche mitbewegen.

Fixieren Sie den Kopf nur, wenn Sie das Gerät über Schulterhöhe verwenden.

- a. Den Feststellhebel **(18)** vollständig aufklappen (siehe **Abb. G**).
- b. Die Neigung der Bürste auf die individuellen Anforderungen einstellen und durch Zuklappen des Feststellhebels fixieren.
Drücken Sie den Feststellhebel nicht mit großer Kraft zu. Wenn der Feststellhebel nicht richtig schließt, passen Sie die Neigung der Bürste leicht an.

6.4. Zusatzhandgriff einstellen

- a. Lösen Sie die Feststellschraube **(3)**. (siehe **Abb. H**)
- b. Stellen Sie die Position des Befestigungssclips **(12)** und die Neigung des Zusatzhandgriffs **(4)** auf Ihre Bedürfnisse ein und ziehen Sie die Feststellschraube wieder an.

6.5. Arbeiten mit dem Gerät

- a. Für die Nassanwendung schließen Sie den Absperrhahn und verbinden Sie den Schlauchadapter mit Ihrer Wasserversorgung. Regulieren Sie die Wassermenge mit dem Absperrhahn. (siehe **Abb. A**)
- b. Um das Gerät einzuschalten, drücken Sie den Ein-/Ausschalter **(8)**.
Es ist nicht notwendig, den Ein-/Ausschalter während der Arbeit festzuhalten.
Üben Sie nur minimalen Druck (leichte Vorschubbewegung) auf das Gerät aus, wenn Sie arbeiten. Schieben Sie das Gerät sanft und gleichmäßig vorwärts.
- c. Zum Ausschalten drücken Sie den Ein-/Ausschalter erneut.

6.6. Verlängerung montieren (optionales Zubehör)

Die Verlängerung ist ein optionales Zubehör und wird nicht mit dem Gerät geliefert. Verwenden Sie nicht mehr als eine Verlängerung mit dem Gerät.

- a. Den Schlauchadapter **(11)** von der Führungsschiene des Befestigungssclips **(12)** ziehen. (siehe **Abb. I**)

- b. Die Griffhülse **(2)** abschrauben und die beiden Rohrenden auseinander ziehen.
- c. Die Verschraubung lösen und den Stecker **(22)** und die Buchse **(20)** auseinander ziehen.
- d. Die Motoreinheit **(17)** und die Verlängerung **(19)** mit den Rohrenden zueinander legen.
- e. Die Buchse **(20)** mit Hilfe der Zuglasche **(21)** und den Stecker **(22)** aus den Rohrenden leicht hervorziehen. (siehe **Abb. B**)
- f. Die Buchse und den Stecker mit zueinander zeigenden Pfeilen zusammenstecken und verschrauben.
- g. Die beiden Rohrenden mit zueinander zeigenden Pfeilen zusammenstecken und mittels der Griffhülse **(2)** verschrauben.
- h. Die Stromversorgungseinheit **(5)** und die Verlängerung **(19)** mit den Rohrenden zueinander legen.
- i. Die Buchse **(20)** mit Hilfe der Zuglasche **(21)** und den Stecker **(22)** aus den Rohrenden leicht hervorziehen.
- j. Die Buchse und den Stecker mit zueinander zeigenden Pfeilen zusammenstecken und verschrauben.
- k. Die beiden Rohrenden mit zueinander zeigenden Pfeilen zusammenstecken und mittels der Griffhülse **(2)** verschrauben.
- l. Den Schlauchadapter **(11)** auf die Führungsschiene der Hülse **(23)** aufschieben.

7. Wartung, Reinigung und Lagerung

Halten Sie das Gerät und das Zubehör in gutem und sauberem Zustand, um gut und sicher zu arbeiten.

Vor allen Arbeiten am Gerät den Akku entfernen.



Wenn die Borsten der Bürste durch den Transport oder falsche Lagerung verformt sind, tauchen Sie die Bürste 30 Sekunden lang in heißes Wasser (90 °C). Die Borsten nehmen dann wieder ihre ursprüngliche Form an.

8. Technische Daten

Akku Typ:	18 V, 4000 mAh, Li-Ion
Leerlaufdrehzahl (\varnothing 100/180 mm):	200/400 min ⁻¹
Schalldruckpegel L_{PA} :	66 dB(A)
Unsicherheit K_{PA} :	3 dB(A)
Schalleistungspegel L_{WA} :	77 dB(A)
Unsicherheit K_{WA} :	3 dB(A)
Hand-Arm-Vibration a_{hb} :	3,91 m/s ²
Unsicherheit K:	1,5 m/s ²

8.1. Vibrationsstufe

Der angegebene Schwingungsgesamtwert und die angegebenen Geräuschemissionswerte sind nach einem genormten Prüfverfahren (EN 62841) gemessen worden und können zum Vergleich eines Elektrowerkzeugs mit einem anderen verwendet werden. Sie können auch zu einer vorläufigen Einschätzung der Belastung verwendet werden.

Warnung!

Die Schwingungs- und Geräuschemissionen können während der tatsächlichen Benutzung des Elektrowerkzeugs von den Angabewerten abweichen, abhängig von der Art und Weise, in der das Elektrowerkzeug verwendet wird, insbesondere, welche Art von Werkstück bearbeitet wird.

Es ist notwendig, Sicherheitsmaßnahmen zum Schutz des Bedieners festzulegen, die auf einer Abschätzung der Schwingungsbelastung während der tatsächlichen Benutzungsbedingungen beruhen (hierbei sind alle Anteile des Betriebszyklus zu berücksichtigen, beispielsweise Zeiten, in denen das Elektrowerkzeug abgeschaltet ist, und solche, in denen es zwar eingeschaltet ist, aber ohne Belastung läuft).

Versuchen Sie, die Belastung durch Vibrationen und Geräusche so gering wie möglich zu halten. Beispielhafte Maßnahmen zur Verringerung der Vibrationsbelastung sind das Tragen von Handschuhen beim Gebrauch des Werkzeugs, die Begrenzung der Arbeitszeit und das Einsatz von Zubehör in gutem Zustand.

9. Zubehör - optional erhältlich

Artikel **Bürste hart (rot)** **Artikel-Nr. 7064253**

Dickes, starkes Haar für schwierige Stellen

Perfekt für (Keramik-)Fliesen im Innen- und Außenbereich, Holzmöbel im Außenbereich, Holzdecks, Wände, Garagentore und vieles mehr

Bürste mittel (blau) **7064252**

Mittelstarke Haare für die allgemeine Reinigung

Perfekt für Boote, (Keramik-)Fliesen im Innen- und Außenbereich, Holzmöbel im Außenbereich, Holzdecks, Wände, Böden und vieles mehr

Bürste weich (schwarz) **7064251**

Weiche Haare für empfindliche Oberflächen

Perfekt für Boote, Wohnwagen/Wohnmobile, Fliesen, Metalloberflächen, Wohnmobile und vieles mehr

Verlängerung **7064279**

Verlängerung der Reichweite um ca. 85 cm.

10. Entsorgung



Werter Kunde, bitte helfen Sie mit, Abfall zu vermeiden. Sollten Sie sich einmal von diesem Artikel trennen wollen, so bedenken Sie bitte, dass viele seiner Komponenten aus wertvollen Rohstoffen bestehen und wiederverwertet werden können. Entsorgen Sie es daher nicht in die Mülltonne, sondern führen Sie es bitte Ihrer Sammelstelle für Wertstoffe zu.

10.1 Batterien

Denken Sie bei der Entsorgung von Batterien an den Umweltschutz. Wenden Sie sich zwecks einer umweltfreundlichen Entsorgung an die lokalen Behörden.

11. Konformitätserklärung

Wir, die **Batavia B.V., Weth. Wassebaliestraat 6d, NL-7951 SN Staphorst**, erklären in alleiniger Verantwortung, dass das Produkt **Doppelbürste, Artikel Nr. 7064170, Modell Nr. BT-CTB001** den wesentlichen Schutzanforderungen genügt, die in den Europäischen Richtlinien 2014/30/EU Elektromagnetische Verträglichkeit (EMV), 2006/42/EG Maschinen, RoHS: 2011/65/EU und deren Änderungen festgelegt sind. Für die Konformitätsbewertung wurden folgende harmonisierte Normen herangezogen:

EN62841-1:2015+A15;

EN IEC 62841-2-3:2021;

ISO12100:2010;

AfPS GS 2019:01;

EN IEC 55014-1:2021;

EN IEC 55014-2:2021

Staphorst, den 1. April 2022



Meino Seinen, Qualitätsbeauftragter
Batavia B.V., Weth. Wassebaliestraat 6d, 7951
SN Staphorst, Niederlande

Das Produkt und das Benutzerhandbuch
können geändert werden. Die technischen
Daten können ohne Vorankündigung geändert
werden.

Chère cliente, cher client

Veillez vous familiariser avec l'appareil en lisant cette notice d'utilisation dans l'ordre des chapitres et conservez soigneusement la notice pour toute référence ultérieure.

Lisez les « Consignes de sécurité générales pour outils électriques » ci-jointes et toutes les autres consignes de sécurité figurant dans ce manuel d'instructions !

Cette notice d'utilisation contient des informations importantes concernant la mise en service et la manipulation du produit. Joignez cette notice au produit si vous le donnez à un tiers.

Les batteries et chargeurs Maxxpack sont disponibles en ligne et dans les magasins participants.

1. Explication des symboles

Les symboles suivants apparaissent dans le manuel d'utilisation ou sur le produit :



AVERTISSEMENT ! Lisez la notice d'utilisation afin de réduire le risque de blessure.



Symbole d'avertissement général : soyez attentif et prenez en compte les dangers d'ordre général.



Portez des lunettes de protection.



CE est l'abréviation de « Conformité européenne », c'est-à-dire « Conformité aux directives de l'UE ». Avec le marquage CE, le fabricant atteste que cet outil électrique est conforme à la réglementation européenne en vigueur.



Ne pas jeter avec les déchets ménagers !

2. Consignes de sécurité supplémentaires

- L'appareil doit être utilisé conformément à sa destination. Lorsque vous travaillez avec l'appareil, faites attention à votre

environnement et aux autres personnes se trouvant à proximité.

- Vérifiez que l'appareil n'est pas endommagé avant de l'utiliser et n'utilisez pas un appareil endommagé. Si l'appareil est endommagé, ne l'utilisez pas et faites-le réparer par un spécialiste ou adressez-vous à notre service clientèle. Ne démontez pas l'appareil et n'essayez pas de le réparer vous-même.
- L'appareil ne doit pas être utilisé par des enfants ou par des personnes n'ayant pas été formées à son utilisation.
- Cet appareil peut être utilisé par des personnes dont les capacités physiques, sensorielles ou mentales sont réduites, ou qui manquent d'expérience et de connaissances, à condition qu'elles soient supervisées ou qu'elles aient reçu des instructions sur la manière d'utiliser l'appareil en toute sécurité et de comprendre les risques qu'il présente. Les enfants ne doivent pas jouer avec l'appareil.
- La maintenance et le nettoyage ne doivent pas être réalisés par des enfants sans surveillance.
- Surveillez les enfants afin qu'ils ne jouent pas avec l'appareil.
- Tenez correctement et fermement l'appareil lorsque vous le mettez en marche.
- N'utilisez pas l'appareil dans des zones à risque d'explosion.
- Portez toujours une protection oculaire.
- Cet appareil est adapté à l'intérieur comme à l'extérieur, mais ne doit pas être utilisé sous la pluie.
- Assurez-vous que l'accessoire de brosse est correctement installé avant de l'utiliser.
- Ne poussez pas la brosse dans des espaces étroits pendant son utilisation.
- Ne touchez pas les pièces en rotation lorsque l'appareil est en cours d'utilisation.

3. Contenu de l'emballage

1× double brosse – brosse à batterie (moteur et bloc d'alimentation électrique)

1× poignée auxiliaire avec matériel de fixation

1× brosse classique (brosse extérieure et brosse intérieure)

1× notice d'utilisation

4. Avant la première utilisation

Sortez l'appareil et tous ses accessoires de l'emballage. Rangez l'emballage hors de portée des enfants. Il existe un risque d'étouffement.

Vérifiez qu'aucune pièce n'a été endommagée durant le transport et n'utilisez pas un appareil endommagé.

4.1. Montage

- a. Placez les extrémités des tubes du moteur **(17)** et du bloc d'alimentation **(5)** l'une contre l'autre.
- b. Retirez légèrement la douille **(20)** de l'extrémité des tubes à l'aide de la tirette **(21)** et de la fiche **(22)** (voir **fig. B**).
- c. Assemblez et vissez la douille et la fiche en orientant les flèches l'une vers l'autre.
- d. Assemblez les deux extrémités des tubes en orientant les flèches l'une vers l'autre et vissez-les au moyen du manchon-poignée **(2)**.
- e. Introduisez le tuyau d'eau **(13)** dans le raccordement sur le moteur (voir **fig. C**).
- f. Faites passer le tuyau d'eau par le clip de maintien **(1)** et le support du moteur.
Veillez à ce que la longueur du tuyau d'eau sur le moteur soit suffisante pour que la tête de brosse réglable puisse se déplacer sans restriction.
- g. Raccordez l'adaptateur de tuyau **(11)** au tuyau d'eau.
- h. Glissez l'adaptateur de tuyau sur le rail de guidage du clip de fixation **(12)** (voir **fig. D**).

5. Utilisation conforme

Le produit est destiné au nettoyage des surfaces à l'intérieur et à l'extérieur dans la sphère domestique. Le produit peut être utilisé à sec ou avec de l'eau. Il n'est pas prévu pour une utilisation professionnelle continue.

Le respect de la notice fait également partie d'une utilisation conforme.

Toute autre utilisation (autres liquides, force excessive) ou modification arbitraire (transfor-

mation, utilisation d'accessoires n'étant pas d'origine) peut entraîner des risques et est considérée comme non conforme à l'usage prévu.

N'utilisez que les accessoires recommandés par le fournisseur.

6. Utilisation

6.1. Insertion/remplacement de la batterie

Le couvercle de la batterie protège la batterie de l'humidité et des salissures.

- a. N'utilisez l'appareil avec de l'eau que lorsque le couvercle de la batterie est correctement fermé.
- b. Veillez à ce que le joint d'étanchéité et le bord en caoutchouc du couvercle de la batterie soient propres et secs.
- a. Desserrez le clip de verrouillage **(6)** et ouvrez le couvercle de la batterie **(7)**.
- b. Insérez ou retirez la batterie (voir **fig. E**).
- c. **Vérifiez toujours le joint d'étanchéité avant de fermer le couvercle de la batterie !**
Retirez la saleté et les corps étrangers de la zone du joint d'étanchéité et vérifiez que le joint est bien en place et non endommagé.
- d. Fermez le couvercle de la batterie et bloquez-le à l'aide du clip de verrouillage.

6.2. Montage/remplacement des brosses

- a. Bloquez l'axe avec le bouton de blocage de l'axe **(16)** et vissez la brosse extérieure **(15)** dans le sens des aiguilles d'une montre (voir **fig. F**).
- b. Insérez la brosse intérieure **(14)** et verrouillez-la en tournant dans le sens inverse des aiguilles d'une montre.
- c. Pour desserrer, déverrouillez la brosse intérieure en tournant dans le sens des aiguilles d'une montre et retirez-la.
- d. Bloquez l'axe à l'aide du bouton de blocage de l'axe et dévissez la brosse extérieure dans le sens inverse des aiguilles d'une montre.

6.3. Réglage de l'angle d'inclinaison de la brosse

En cas d'utilisation de l'appareil sur le sol, la tête ne doit pas être fixée. La tête peut alors suivre la surface à nettoyer.

Ne fixez la tête que si vous utilisez l'appareil au-dessus de la hauteur des épaules.

- Ouvrez complètement le levier de blocage **(18)** (voir **fig. G**).
- Régalez l'inclinaison de la brosse en fonction de vos besoins et fixez-la en fermant le levier de blocage.

Ne forcez pas lorsque vous serrez le levier de blocage. Si le levier de blocage ne se ferme pas correctement, ajustez légèrement l'inclinaison de la brosse.

6.4. Réglage de la poignée auxiliaire

- Desserrez la vis de blocage **(3)** (voir **fig. H**).
- Régalez la position du clip de fixation **(12)** et l'inclinaison de la poignée auxiliaire **(4)** en fonction de vos besoins, puis resserrez la vis de blocage.

6.5. Utilisation de l'appareil

- Pour une utilisation avec de l'eau, fermez le robinet d'arrêt et raccordez l'adaptateur de tuyau à votre alimentation en eau. Régalez le débit d'eau à l'aide du robinet d'arrêt (voir **fig. A**).
- Pour mettre l'appareil en marche, appuyez sur l'interrupteur marche/arrêt **(8)**.

Il n'est pas nécessaire de tenir fermement l'interrupteur marche/arrêt pendant l'utilisation de l'appareil.

N'exercez qu'une pression minimale (légère poussée vers l'avant) sur l'appareil lorsque vous travaillez. Poussez l'appareil doucement et régulièrement vers l'avant.

- Pour éteindre l'appareil, appuyez à nouveau sur l'interrupteur marche/arrêt.

6.6. Montage de la rallonge (accessoire en option)

La rallonge est un accessoire disponible en option et n'est pas fournie avec l'appareil. N'utilisez pas plus d'une rallonge avec l'appareil.

- Retirez l'adaptateur de tuyau **(11)** du rail de guidage du clip de fixation **(12)** (voir **fig. I**).
- Dévissez le manchon-poignée **(2)** et éloignez les deux extrémités des tubes.
- Desserrez le raccord à vis et éloignez la fiche **(22)** de la douille **(20)**.
- Placez les extrémités des tubes du moteur **(17)** et de la rallonge **(19)** l'une contre l'autre.
- Retirez légèrement la douille **(20)** de l'extrémité des tubes à l'aide de la tirette **(21)** et de la fiche **(22)** (voir **fig. B**).
- Assemblez et vissez la douille et la fiche en orientant les flèches l'une vers l'autre.
- Assemblez les deux extrémités des tubes en orientant les flèches l'une vers l'autre et vissez-les au moyen du manchon-poignée **(2)**.
- Placez les extrémités des tubes du bloc d'alimentation électrique **(5)** et de la rallonge **(19)** l'une contre l'autre.
- Retirez légèrement la douille **(20)** de l'extrémité des tubes à l'aide de la tirette **(21)** et de la fiche **(22)**.
- Assemblez et vissez la douille et la fiche en orientant les flèches l'une vers l'autre.
- Assemblez les deux extrémités des tubes en orientant les flèches l'une vers l'autre et vissez-les au moyen du manchon-poignée **(2)**.
- Faites glisser l'adaptateur de tuyau **(11)** sur le rail de guidage du manchon **(23)**.

7. Entretien, nettoyage et stockage

Veillez à la propreté de l'appareil et de ses accessoires afin de pouvoir travailler correctement et en toute sécurité.

Retirez la batterie avant toute intervention sur l'appareil.



Si les poils de la brosse sont déformés à cause du transport ou d'un mauvais stockage, plongez la brosse dans de l'eau chaude (90 °C) pendant 30 secondes. Les poils reprennent alors leur forme initiale.

8. Caractéristiques techniques

Type de batterie :	18 V 4 000 mAh, li-ion
Vitesse de rotation à vide (ø 100/180 mm) :	200/400 min ⁻¹
Niveau de pression sonore L_{pA} :	66 dB(A)
Incertitude K_{pA} :	3 dB(A)
Niveau de puissance sonore L_{WA} :	77 dB(A)
Incertitude K_{WA} :	3 dB(A)
Vibration transmise au système main-bras a_{hb} :	3,91 m/s ²
Incertitude K :	1,5 m/s ²

8.1. Niveau de vibration

La valeur totale des vibrations et les valeurs d'émission sonore indiquées ont été mesurées en appliquant une méthode d'essai normée (EN 62841). Elles peuvent être utilisées pour comparer des outils électriques entre eux. Elles peuvent également être utilisées pour une estimation provisoire de la sollicitation.

Avertissement !

Les émissions de vibrations et de bruit peuvent différer des valeurs indiquées pendant l'utilisation effective de l'outil électrique en fonction du type d'utilisation de l'outil électrique, en particulier en fonction du type de pièce utilisée.

En vue de protéger l'utilisateur, il est nécessaire de fixer des mesures de sécurité basées sur une estimation de la sollicitation vibratoire dans les conditions d'utilisation réelles (pour cela, il faut tenir compte de toutes les phases du cycle de fonctionnement, par exemple des temps d'arrêt de l'outil électrique, ainsi que des temps où l'outil est en marche sans être sollicité).

Essayez de réduire au minimum les sollicitations vibratoires et sonores. Le port de gants lors de l'utilisation de l'outil, la limitation du temps de travail et l'utilisation d'accessoires en bon état sont des exemples de mesures visant à réduire la sollicitation vibratoire.

9. Accessoires – disponibles en option

Article **Brosse rigide (rouge)** Référence **7064253**

Poils épais et durs pour les endroits difficiles

Idéale pour les carreaux (en céramique) d'intérieur et d'extérieur, les meubles d'extérieur en bois, les terrasses en bois, les murs, les portes de garage et bien plus encore

Article **Brosse classique (bleue)** Référence **7064252**

Poils moyennement durs pour le nettoyage général

Idéale pour les bateaux, les carreaux (en céramique) d'intérieur et d'extérieur, les meubles d'extérieur en bois, les terrasses en bois, les murs, les sols et bien plus encore

Article **Brosse douce (noire)** Référence **7064251**

Poils souples pour les surfaces délicates

Idéale pour les bateaux, les caravanes et camping-cars, le carrelage, les surfaces métalliques, les mobile homes et bien plus encore

Article **Rallonge** Référence **7064279**

Extension de la portée d'environ 85 cm.

10. Élimination



Cher client, aidez-nous à contribuer à la réduction des déchets. Si vous deviez vous séparer de cet article, n'oubliez pas que nombre de ses composants sont constitués de matériaux précieux et peuvent être recyclés. Ne le jetez donc pas avec les ordures ménagères, mais apportez-le dans un point de collecte pour matériaux recyclables.

10.1 Piles

Pensez à la protection de l'environnement lorsque vous vous débarrassez des piles. Renseignez-vous auprès des autorités locales pour une élimination respectueuse de l'environnement.

11. Déclaration de conformité

Nous, **Batavia B.V., Weth. Wassebaliestraat 6d, NL-7951 SN Staphorst**, déclarons sous notre seule responsabilité que le produit **Double brosse, référence 7064170, modèle BT-CTB001** est conforme aux exigences essentielles de protection définies dans les directives européennes 2014/30/UE Compatibilité électromagnétique (CEM), 2006/42/CE Machines, RoHS : 2011/65/UE et leurs amendements. Les normes harmonisées suivantes ont été utilisées pour l'évaluation de la conformité :

EN62841-1:2015+A15 ;

EN IEC 62841-2-3:2021 ;

ISO12100:2010 ;

AfPS GS 2019:01 ;

EN IEC 55014-1:2021 ;

EN IEC 55014-2:2021

Staphorst, le 1er avril 2022



Meino Seinen, responsable qualité
Batavia B.V., Weth. Wassebaliestraat 6d, 7951
SN Staphorst, Pays-Bas

Le produit et le manuel d'utilisation peuvent faire l'objet de modifications. Les caractéristiques techniques peuvent être modifiées sans préavis.

Geachte dames en heren

Maak uzelf vertrouwd met het apparaat in de volgorde van de hoofdstukken en bewaar deze gebruikershandleiding voor toekomstig gebruik.

Lees de bijgevoegde "Algemene veiligheidsinstructies voor elektrisch gereedschap" en alle andere veiligheidsinstructies in deze gebruikershandleiding!

Deze gebruikershandleiding bevat belangrijke instructies over de ingebruikname en omgang. Voeg de handleiding bij het product als u deze aan derden doorgeeft.

De Maxxpack accu's en opladers zijn online en in deelnemende winkels verkrijgbaar.

1. Verklaring van de symbolen

De volgende symbolen worden in het gebruikershandboek of op het product gebruikt:



WAARSCHUWING: Lees de gebruikershandleiding om het risico op letsel te verminderen.



Algemeen waarschuwingsteken - Wees opmerkzaam en let op de algemene gevaren.



Draag een veiligheidsbril.



CE staat voor "Conformité Européenne", dit betekent "Naleving van EU-richtlijnen". Met de CE-markering bevestigt de fabrikant dat dit elektrisch gereedschap voldoet aan de geldende Europese richtlijnen.



Niet in het huisvuil werpen!

2. Extra veiligheidsinstructies

- Het apparaat moet volgens het beoogde gebruik worden gebruikt. Let bij het werken met het apparaat op de plaatselijke omstandigheden en op andere mensen in uw omgeving.
- Controleer het apparaat voor gebruik op schade en gebruik geen beschadigd apparaat. Als het apparaat beschadigd is, gebruik het dan niet en laat het repareren door een professional of neem contact op

met onze klantenservice. Haal het apparaat niet uit elkaar en probeer niet om het zelf te repareren.

- Het apparaat mag niet door kinderen of personen worden gebruikt, die niet naar behoren instructies hebben gekregen.
- Dit apparaat kan worden gebruikt door personen met verminderde fysieke, zintuiglijke of mentale vermogens of met een gebrek aan ervaring en kennis als ze onder toezicht staan of instructies hebben gekregen om het apparaat op een veilige manier te gebruiken en de bijbehorende risico's begrijpen. Kinderen mogen niet met het apparaat spelen.
- Reiniging en onderhoud mogen niet door kinderen zonder toezicht worden uitgevoerd.
- Let op dat er geen kinderen met het apparaat spelen.
- Houd het apparaat bij het inschakelen goed en veilig vast.
- Het apparaat mag niet in explosiegevaarlijke omgevingen worden gebruikt.
- Draag altijd oogbescherming.
- Dit apparaat is geschikt voor binnen- en buitengebruik, maar mag echter niet in de regen worden gebruikt.
- Controleer voor het gebruik of het borsteltoebehoren juist gemonteerd is.
- Duw de borstel tijdens gebruik niet in krappe ruimtes.
- Raak geen draaiende onderdelen aan, wanneer het apparaat in gebruik is.

3. Verpakkingseenheid

1× twin brush - accuborstel (motoreenheid en voedingseenheid)

1× extra handgreep incl. bevestigingsmateriaal

1× borstel medium (borstel buitenste en binnenste deel)

1× gebruikershandleiding

4. Voor het eerste gebruik

Haal het apparaat en alle toebehoren uit de verpakking. Bewaar het verpakkingsmateriaal buiten bereik van kinderen. Er bestaat verstikkingsgevaar!

Controleer alle delen op transportschade en gebruik geen beschadigd apparaat.

4.1. Montage

- a. De motoreenheid **(17)** en de voedingseenheid **(5)** met de buisuiteinden tegen elkaar leggen.
- b. De aansluiting **(20)** met behulp van het treklijpje **(21)** en de stekker **(22)** iets uit de buisuiteinden trekken. (zie **afb. B**)
- c. De aansluiting en de stekker met de pijlen naar elkaar wijzend samenplaatsen en aan elkaar schroeven.
- d. Plaats de twee buisuiteinden met de pijlen naar elkaar gericht en schroef ze aan elkaar met behulp van de grijphuls **(2)**.
- e. De waterslang **(13)** in de aansluiting op de motoreenheid steken. (zie **afb. C**)
- f. De waterslang door de borgclip **(1)** en de beugel van de motoreenheid leiden.
Let erop dat de waterslang op de motoreenheid lang genoeg is om de verstelbare borstelskop vrij te laten bewegen.
- g. De slangadapter **(11)** met de waterslang verbinden.
- h. De slangadapter op de geleiderail van de bevestigingsclip **(12)** schuiven. (zie **afb. D**)

5. Beoogd gebruik

Het product is bedoeld voor het reinigen van oppervlakken in binnenruimtes en buiten voor particulier gebruik. Het product kan droog of met water worden gebruikt. Het is niet bedoeld voor continu commercieel gebruik.

Tot het beoogde gebruik behoort ook het naleven van de instructies.

Elk ander gebruik (andere media, gebruik van geweld) of ongeoorloofde wijziging (ombouw, geen originele toebehoren) kan gevaar opleveren en wordt als oneigenlijk beschouwd.

Gebruik alleen het toebehoren dat door de fabrikant is aanbevolen.

6. Bediening

6.1. Accu plaatsen/vervangen

De accu-afdekking beschermt de accu tegen vochtigheid en vuil.

- a. Gebruik het apparaat alleen met water, wanneer de accu-afdekking juist gesloten is.
- b. Let erop dat de afdichting van het batterijdeksel en de rubberen rand schoon en droog zijn.
- a. De sluiting **(6)** losmaken en de accu-afdekking **(7)** openen.
- b. De accu gebruiken of verwijderen (zie **afb. E**).
- c. **Voor het sluiten van de accu-afdekking altijd de afdichting controleren!**

Verwijder vuil en vreemd materiaal in het gedeelte van de afdichting en controleer of de afdichting aanwezig en onbeschadigd is.

- d. Sluit de accu-afdekking en vergrendel deze met de sluiting.

6.2. Borstel monteren/vervangen

- a. De as met de asvergrendelingsknop **(16)** blokkeren en het buitenste deel van de borstel **(15)** met de wijzers van de klok mee vastschroeven (zie **afb. F**).
- b. Het binnendeel van de borstel **(14)** plaatsen en tegen de wijzers van de klok in vergrendelen.
- c. Om los te maken, ontgrendelt u het binnenste deel van de borstel met de wijzers van de klok mee en verwijdert u het.
- d. De as met de asvergrendelingsknop blokkeren en het buitenste deel van de borstel met de wijzers van de klok mee losschroeven.

6.3. Hoek van de borstel instellen

Bij gebruik van het apparaat op de vloer mag de kop niet worden vastgezet. De kop kan dan meebewegen met het te reinigen oppervlak.

Zet de kop alleen vast, wanneer u het apparaat boven schouderhoogte gebruikt.

- a. De vergrendelingshendel **(18)** volledig openen (zie **afb. G**).
- b. Pas de helling van de borstel aan uw individuele wensen aan en zet deze vast door de vergrendelingshendel te sluiten.
Druk niet met overmatige kracht op de vergrendelingshendel. Als de vergrendelingshendel niet juist sluit, moet u de helling van de borstel iets aanpassen.

6.4. Extra handgreep instellen

- a. Maak de vergrendelschroef los **(3)**. (zie **afb. H**)
- b. Stel de positie van de bevestigingsclip **(12)** en de helling van de extra handgreep **(4)** in volgens uw behoeften en trek de vergrendelschroef weer aan.

6.5. Werken met het apparaat

- a. Sluit bij nat gebruik de afsluitkraan en sluit de slangadapter aan op uw waterleiding. Regel de hoeveelheid water met de afsluitkraan. (zie **afb. A**)
- b. Druk op de aan-/uitschakelaar **(8)** om het apparaat in te schakelen.
Het is niet nodig de aan-/uitschakelaar tijdens het werk vast te houden.

Oefen tijdens het werken minimale druk uit (lichte voorwaartse beweging) op het apparaat. Schuif het apparaat soepel en gelijkmatig naar voren.

- c. Druk opnieuw de aan-/uitschakelaar in om uit te schakelen.

6.6. Verlengstuk monteren (optioneel toebehoren)

Het verlengstuk is een optionele accessoire en wordt niet bij het apparaat geleverd. Gebruik niet meer dan een verlengstuk met het apparaat.

- a. De slangadapter **(11)** van de geleiderail van de bevestigingsclip **(12)** trekken. (zie **afb. I**)
- b. De grijphuls **(2)** afschroeven en de beide buisuiteinden uit elkaar trekken.
- c. De schroefverbinding losdraaien en de stekker **(22)** en de aansluiting **(20)** uit elkaar trekken.

- d. De motoreenheid **(17)** en het verlengstuk **(19)** met de buisuiteinden tegen elkaar leggen.
- e. De aansluiting **(20)** met behulp van het treklijpje **(21)** en de stekker **(22)** iets uit de buisuiteinden trekken. (zie **afb. B**)
- f. De aansluiting en de stekker met de pijlen naar elkaar wijzend samenplaatsen en aan elkaar schroeven.
- g. Plaats de twee buisuiteinden met de pijlen naar elkaar gericht en schroef ze aan elkaar met behulp van de grijphuls **(2)**.
- h. De voedingseenheid **(5)** en het verlengstuk **(19)** met de buisuiteinden tegen elkaar leggen.
- i. De aansluiting **(20)** met behulp van het treklijpje **(21)** en de stekker **(22)** iets uit de buisuiteinden trekken.
- j. De aansluiting en de stekker met de pijlen naar elkaar wijzend samenplaatsen en aan elkaar schroeven.
- k. Plaats de twee buisuiteinden met de pijlen naar elkaar gericht en schroef ze aan elkaar met behulp van de grijphuls **(2)**.
- l. De slangadapter **(11)** op de geleiderail van de huls **(23)** schuiven.

7. Onderhoud, reiniging en opslag

Houd het apparaat en toebehoren in een goede en schone toestand om goed en veilig te werken.

Verwijder de accu-afdekking voor alle werkzaamheden aan het apparaat.



Als de haren van de borstel vervormd zijn door transport of onjuiste opslag, laat de borstel dan 30 seconden lang in heet water (90 °C) weken. De borstelharen keren dan terug naar hun oorspronkelijke vorm.

8. Technische gegevens

Type accu:	18 V, 4000 mAh, Li-ion
Onbelast toerental (ø100/180 mm):	200/400 min ⁻¹
Geluidsdruk niveau L_{PA} :	66 dB(A)
Onnauwkeurigheid K_{PA} :	3 dB(A)
Geluidsvermogensniveau L_{WA} :	77 dB(A)
Onnauwkeurigheid K_{WA} :	3 dB(A)
Hand-arm-vibratie a_{hb} :	3,91 m/s ²
Onnauwkeurigheid K:	1,5 m/s ²

8.1. Trillingsniveau

De aangegeven totale trillingswaarde en de aangegeven geluidsemisiewaarden zijn volgens een genormeerd controleprocedé (EN 62841) gemeten en kunnen ter vergelijking van een elektrisch gereedschap met een ander elektrisch gereedschap gebruikt worden. Deze kunnen ook voor een voorlopige inschatting van de belasting gebruikt worden.

Waarschuwing!

De trillings- en geluidsemisies kunnen tijdens het daadwerkelijke gebruik van het elektrisch gereedschap van de aangegeven waarden afwijken. Dit is afhankelijk van de manier waarop het elektrisch gereedschap gebruikt wordt, in het bijzonder welke soort werkstuk bewerkt wordt.

Het is noodzakelijk om veiligheidsmaatregelen ter bescherming van de bediener te bepalen. Deze moeten gebaseerd zijn op een inschatting van de trillingsbelasting tijdens de daadwerkelijke gebruiksomstandigheden (hierbij moet rekening gehouden worden met alle aandelen van de bedrijfscyclus, bijvoorbeeld tijden, waarin het elektrisch gereedschap uitgeschakeld is, en tijden waarin het weliswaar ingeschakeld is maar zonder belasting draait).

Probeer de belasting door trillingen en geluiden zo laag mogelijk te houden. Voorbeelden van maatregelen om de trillingsbelasting te verminderen zijn het dragen van handschoenen bij het gebruik van het gereedschap, de begrenzing van de werktijd en het gebruik van toebehoren in goede toestand.

9. Toebehoren - optioneel verkrijgbaar

Artikel **Harde borstel (rood)** Artikel-nr. **7064253**

Dik, sterk haar voor moeilijke zones

Perfect voor (keramische) tegels binnen en buiten, houten buitenmeubels, houten dekken, muren, garagedeuren en nog veel meer

Medium borstel (blauw) **7064252**

Middelsterke haren voor de algemene reiniging

Perfect voor boten, (keramische) tegels binnen en buiten, houten buitenmeubels, houten dekken, muren, vloeren en nog veel meer

Zachte borstel (zwart) **7064251**

Zacht haar voor delicate oppervlakken

Perfect voor boten, woonwagens/caravans, tegels, metalen oppervlakken, mobiele woningen en nog veel meer

Verlengstuk **7064279**

Verlengstuk van het bereik met ongeveer 85 cm.

10. Afvoeren



Beste klant, help alstublieft om verspilling te voorkomen. Als u ooit afstand wilt doen van dit artikel, houd er dan rekening mee dat veel van de componenten uit waardevolle grondstoffen bestaan en kunnen worden gerecycled. Gooi het daarom niet in de vuilnisbak, maar breng het naar uw inzamelpunt voor recyclebaar materiaal.

10.1 Batterijen

Denk aan het milieu bij het weggooien van batterijen. Neem contact op met de plaatselijke autoriteiten voor milieuvriendelijke verwijdering.

11. Conformiteitsverklaring

Wij, **Batavia B.V., Weth. Wassebaliestraat 6d, NL-7951 SN Staphorst** verklaart hier in eigen verantwoording, dat het product **Dubbele borstel, Artikel nr. 7064170, model nr. BT-CTB001** voldoet aan de wezenlijke veiligheidseisen, die in de Europese richtlijnen 2014/30/EU Elektromagnetische compatibiliteit (EMC), 2006/42/EG Machinerichtlijn, RoHS: 2011/65/EU en hun wijzigingen vastgelegd zijn. Voor de beoordeling van de conformiteit zijn de volgende geharmoniseerde normen gebruikt:

EN62841-1:2015+A15;
EN IEC 62841-2-3:2021;
ISO12100:2010;
AfPS GS 2019:01;
EN IEC 55014-1:2021;
EN IEC 55014-2:2021

Staphorst, 1 april 2022



Meino Seinen, kwaliteitsfunctionaris
Batavia B.V., Weth. Wassebaliestraat 6d, 7951
SN Staphorst, Nederland

Het product en het gebruikershandboek kunnen worden gewijzigd. De technische specificaties kunnen zonder voorafgaande kennisgeving worden gewijzigd.

Gentile signore e gentili signori

Familiarizzare con la sequenza del capitolo del dispositivo e conservare queste istruzioni per l'uso in modo da poterle consultare in futuro.

Leggere attentamente le "Avvertenze di sicurezza generali per gli elettrodomestici" allegare e tutte le altre avvertenze di sicurezza contenute in questo manuale d'uso!

Le istruzioni per l'uso contengono avvisi importanti per la messa in funzione e la maneggevolezza. Allegare il manuale al prodotto quando questo viene ceduto a terzi.

La batteria Maxxpack e il caricabatteria sono disponibili online e nei negozi autorizzati.

1. Spiegazione dei simboli

I seguenti simboli vengono utilizzati nel manuale d'uso o sono stampigliati sul prodotto:



AVVERTIMENTO - Per ridurre al minimo il rischio di lesioni leggere le istruzioni per l'uso.



Avvertenze generali - Siate sempre vigili e fate attenzione ai pericoli generali.



Indossare gli occhiali di protezione.



CE significa "Conformité Européenne" cioè "conformità con le direttive UE". Il marchio CE conferma che il fabbricante ha realizzato questo utensile elettrico in conformità con le direttive europee.



Non smaltire con i rifiuti domestici!

2. Avvertenze di sicurezza aggiuntive

- Il dispositivo deve essere utilizzato in conformità con la sua destinazione d'uso. Durante l'utilizzo del dispositivo, rispettare le norme locali e fare attenzione alle persone che si trovano nelle immediate vicinanze.
- Prima dell'uso controllare il dispositivo in modo da verificare la presenza di danni. Non utilizzare un dispositivo danneggiato. Se il dispositivo fosse danneggiato, non

utilizzarlo, farlo riparare a un tecnico qualificato o rivolgersi al nostro servizio di assistenza clienti. Non smontare il dispositivo né cercare di ripararlo da soli.

- Il dispositivo non può essere utilizzato da bambini o da persone non specificatamente addestrate.
- Questo dispositivo può essere utilizzato da persone con ridotte capacità fisiche, sensoriali o mentali o prive di esperienza e conoscenza se sono supervisionate o istruite a utilizzare il dispositivo in modo sicuro e a comprendere i pericoli coinvolti. Non permettere ai bambini di giocare con il dispositivo.
- La pulizia e la manutenzione non possono essere eseguiti dai bambini senza la supervisione di un adulto.
- Vi invitiamo a tenere sotto controllo i bambini in modo che non possano giocare con il dispositivo.
- Durante l'accensione tenere saldamente in mano il dispositivo.
- Il dispositivo non può essere utilizzato in ambienti esposti al pericolo di esplosione.
 - Indossare sempre gli occhiali protettivi.
 - Questo dispositivo è adatto per uso interno ed esterno, ma non deve essere utilizzato sotto la pioggia.
 - Prima dell'uso verificare che l'accessorio spazzola sia stato installato correttamente.
 - Durante il funzionamento non spingere la spazzola in ambienti stretti.
 - Quando il dispositivo è in funzione, non toccare le parti rotanti.

3. Contenuto dell'imballaggio

1x Twin brush - Spazzola a batteria (unità motore e unità alimentazione)

1x Impugnatura supplementare con materiale di fissaggio

1x Spazzola media (parte interna ed esterna della spazzola)

1x Istruzioni per l'uso

4. Prima del primo utilizzo

Estrarre il dispositivo e tutti gli accessori dall'imballaggio. Conservare il materiale da imballaggio lontano dalla portata dei bambini. Pericolo di soffocamento!

Vetrificare che tutte le parti non abbiano subito alcun danno durante il trasporto e non utilizzare un dispositivo danneggiato.

4.1. Montaggio

- a. Collegare l'unità motore **(17)** e l'unità alimentazione **(5)** alle estremità del tubo.
- b. Tirare leggermente la presa **(20)** con la linguetta **(21)** e la spina **(22)** dall'estremità dei tubi. (vedi **fig. B**)
- c. Collegare e avvitare la presa e la spina in base alle frecce stampigliate.
- d. Inserire tra di loro entrambe le estremità del tubo, in base alle frecce stampigliate, e avvitare con la boccola di presa **(2)**.
- e. Inserire il tubo dell'acqua **(13)** nell'attacco dell'unità motore. (vedi **fig. C**)
- f. Guidare il tubo dell'acqua attraverso la clip di fissaggio **(1)** e il supporto fino all'unità motore.

Assicurarsi che la lunghezza del tubo dell'acqua sia sufficiente fino all'unità motore in modo che la testa della spazzola possa muoversi liberamente.

- g. Collegare l'adattatore per tubo **(11)** al tubo dell'acqua.
- h. Spingere l'adattatore per tubo lungo il binario guida della clip di fissaggio **(12)**. (vedi **fig. D**)

5. Uso previsto

Il prodotto è stato concepito per pulire superfici in ambienti interni o esterni privati. Il prodotto può essere utilizzato a secco o con acqua. Esso non è stato concepito per l'utilizzo a ciclo continuo.

L'utilizzo conforme alla destinazione d'uso prevede anche il rispetto delle istruzioni.

Tutti gli impieghi diversi (altri liquidi, forzature) o le modifiche arbitrarie (alterazione, nessun accessorio originale) possono causare situa-

zioni di pericolo e valgono come utilizzo non conforme alla destinazione d'uso.

Utilizzare solo gli accessori consigliati dal fornitore.

6. Utilizzo

6.1. Inserimento/cambio della batteria

Il coperchio batteria protegge la batteria dall'umidità e dallo sporco.

- a. Utilizzare il dispositivo solo in acqua quando il coperchio batteria è stato chiuso correttamente.
 - b. Assicurarsi che la guarnizione e il bordo di gomma del coperchio batteria siano puliti e asciutti.
- a. Allentare la chiusura di serraggio **(6)** per aprire il coperchio batteria **(7)**.
 - b. Inserire o rimuovere la batteria (vedi **fig. E**).
 - c. **Prima di chiudere il coperchio batteria controllare sempre la guarnizione!**
Rimuovere lo sporco e i corpi estranei dal perimetro della guarnizione e verificare se questa sia presente e intatta.
 - d. Chiudere il coperchio batteria con la chiusura di serraggio.

6.2. Montaggio/sostituzione della spazzola

- a. Bloccare l'albero con il tasto di bloccaggio albero **(16)** e svitare la parte esterna della spazzola **(15)** ruotandola in senso orario (vedi **fig. F**).
- b. Inserire la parte interna della spazzola **(14)** e bloccarla ruotandola in senso antiorario.
- c. Per allentare e rimuovere la parte interna della spazzola, ruotarla in senso orario.
- d. Bloccare l'albero con il tasto di bloccaggio albero e svitare la parte esterna della spazzola ruotandola in senso antiorario.

6.3. Regolazione dell'angolo di inclinazione della spazzola

In caso di utilizzo del dispositivo sul pavimento, la testa non deve essere bloccata. La testa può così adattarsi alla superficie da pulire.

Bloccare la testa solo se il dispositivo deve essere utilizzato oltre l'altezza spalle.

- a. Aprire completamente la leva di regolazione **(18)** (vedi **fig. G**).
- b. Regolare l'angolo di inclinazione della spazzola in base alle proprie esigenze specifiche e fissare con la leva di regolazione.

Spingere la leva di regolazione senza applicare alcuna forza eccessiva. Se la leva di regolazione non si chiude correttamente, adattare di conseguenza l'inclinazione della spazzola.

6.4. Regolazione della impugnatura supplementare

- a. Allentare la vite di regolazione **(3)**. (vedi **fig. H**)
- b. Regolare la posizione della clip di fissaggio **(12)** e l'inclinazione dell'impugnatura supplementare **(4)** in base alle proprie esigenze. Infine, serrare la vite di regolazione.

6.5. Lavorare con il dispositivo

- a. Per l'utilizzo bagnato, chiudere il rubinetto d'isolamento e collegare l'adattatore per tubo con l'alimentazione dell'acqua. Regolare la quantità d'acqua con il rubinetto d'isolamento. (vedi **fig. A**)
- b. Per accendere il dispositivo, premere l'interruttore on/off **(8)**.

Durante il lavoro, è necessario tenere premuto l'interruttore on/off.

Applicare solo una pressione minima (piccolo movimento di spostamento) sul dispositivo durante il lavoro. Spingere in avanti il dispositivo in modo leggero e uniforme.

- c. Premere nuovamente l'interruttore on/off per spegnere il dispositivo.

6.6. Montaggio della prolunga (accessorio opzionale)

La prolunga è un accessorio opzionale e non è in dotazione al dispositivo. Non utilizzare mai il dispositivo con più di una prolunga.

- a. Estrarre l'adattatore per tubo **(11)** dal binario guida della clip di fissaggio **(12)**. (vedi **fig. I**)

- b. Svitare la boccola di presa **(2)** e sperare entrambe le estremità del tubo.
- c. Allentare il raccordo a vite e separare la spina **(22)** dalla presa **(20)**.
- d. Collegare l'unità motore **(17)** e la prolunga **(19)** alle estremità del tubo.
- e. Tirare leggermente la presa **(20)** con la linguetta **(21)** e la spina **(22)** dall'estremità dei tubi. (vedi **fig. B**)
- f. Collegare e avvitare la presa e la spina in base alle frecce stampigliate.
- g. Inserire tra di loro entrambe le estremità del tubo, in base alle frecce stampigliate, e avvitare con la boccola di presa **(2)**.
- h. Collegare l'unità alimentazione **(5)** e la prolunga **(19)** alle estremità del tubo.
- i. Tirare leggermente la presa **(20)** con la linguetta **(21)** e la spina **(22)** dall'estremità dei tubi.
- j. Collegare e avvitare la presa e la spina in base alle frecce stampigliate.
- k. Inserire tra di loro entrambe le estremità del tubo, in base alle frecce stampigliate, e avvitare con la boccola di presa **(2)**.
- l. Spingere l'adattatore per tubo **(11)** lungo il binario guida della boccola **(23)**.

7. Manutenzione, pulizia e immagazzinamento

Mantenere il dispositivo e gli accessori in buono stato e puliti in modo da poter lavorare in sicurezza.

Prima di intervenire sul dispositivo, estrarre sempre la batteria.



Se le setole della spazzola si deformano a causa del trasporto o dell'immagazzinamento errato, immergere la spazzola per 30 secondi in acqua bollente (90 °C). Le setole riacquisteranno la loro forma originaria.

8. Dati tecnici

Tipo di batteria:	18 V, 4000 mAh, Li- Ion
Velocità a folle (∅ 100/180 mm):	200/400 min ⁻¹
Livello di pressione sonora L _{PA} :	66 dB(A)
Incertezza K _{PA} :	3 dB(A)
Livello di potenza sonora L _{WA} :	77 dB(A)
Incertezza K _{WA} :	3 dB(A)
Vibrazione mano-braccio a _{hb} :	3,91 m/s ²
Incertezza K:	1,5 m/s ²

8.1. Livello di vibrazione

Il valore di vibrazione totale dichiarato e i valori di emissione sonora dichiarati sono stati misurati secondo una procedura di prova standardizzata (EN 62841) e possono essere utilizzati per confrontare tra di loro i diversi elettrotensili. Inoltre, possono essere utilizzati anche per una valutazione preliminare del carico.

Avvertimento!

Le vibrazioni e le emissioni di rumore durante l'uso effettivo dell'elettrotensile possono differire dai valori indicati a seconda del modo in cui viene utilizzato l'elettrotensile e, in particolare, a seconda del tipo di pezzo da lavorare.

È necessario stabilire misure di sicurezza per proteggere l'operatore sulla base di una stima del carico vibrazionale in condizioni reali di utilizzo (tenendo conto di tutte le parti del ciclo operativo, come i periodi in cui l'utensile elettrico è spento e i periodi in cui è acceso ma senza carico).

Cercare di mantenere al minimo l'esposizione alle vibrazioni e al rumore. Gli esempi di misure per ridurre le vibrazioni includono l'uso di guanti durante l'uso dell'utensile, la limitazione del tempo di lavoro e l'uso di accessori in buone condizioni.

9. Accessorio - disponibile opzionalmente

Articolo **Spazzola dura (rossa)** Cod. articolo **7064253**

Setola spessa e rigida per i punti difficili
Perfetta per piastrelle (ceramica) per interni ed esterni, mobili in legno da giardino, coperte di legno, pareti, porte per garage e altro ancora

Articolo **Spazzola media (blu)** Cod. articolo **7064252**

Setole di medio spessore per la pulizia generale
Perfetta per imbarcazioni, piastrelle (ceramica) per interni ed esterni, mobili in legno da giardino, coperte di legno, pareti, pavimenti e altro ancora

Articolo **Spazzola morbida (nera)** Cod. articolo **7064251**

Setole morbide per superfici sensibili
Perfetta imbarcazioni, roulotte/camper, piastrelle, superfici di metallo, camper e altro ancora

Articolo **Prolunga** Cod. articolo **7064279**

Prolunga della portata fino a ca. 85 cm.

10. Smaltimento



Invitiamo i clienti Werter di aiutarci a ridurre i rifiuti. Se foste costretti a eliminare l'articolo, vi ricordiamo che questo i componenti sono stati realizzati con materia prime pregiate che possono essere riciclate. Non smaltire con i normali rifiuti bensì vi invitiamo a conferire i componenti presso una piattaforma ecologica.

10.1 Batterie

Per lo smaltimento delle batterie pensare all'ambiente. Per lo smaltimento eco-compatibile rivolgersi alle autorità locali.

11. Dichiarazione di conformità

La sottoscritta **Batavia B.V. Weth. Wassebaliestraat 6d, NL-7951 SM Staphorst**, Paesi Bassi, dichiara sotto la propria esclusiva responsabilità che il prodotto **Spazzola doppia, cod. articolo 7064170, n. modello BT-CTB001** soddisfa i requisiti essenziali di protezione stabiliti dalle direttive europee 2014/30/UE Compatibilità elettromagnetica (EMC), 2006/42/CE Macchine, 2011/65/UE e relativi emendamenti. Per la valutazione della conformità sono state utilizzate le seguenti norme armonizzate:

EN62841-1:2015+A15;
EN IEC 62841-2-3:2021;
ISO12100:2010;
AfPS GS 2019:01;
EN IEC 55014-1:2021;
EN IEC 55014-2:2021

Staphorst, 1 aprile 2022



Meino Seinen, Responsabile qualità
Batavia B.V., Weth. Wassebaliestraat 6d, 7951
SN Staphorst, Paesi Bassi

Il prodotto e il manuale d'uso sono soggetti a modifiche. I dati tecnici possono essere modificati senza preavviso.

Estimados señores y señoras:

Familiarícese con el dispositivo a lo largo de los capítulos y guarde bien el manual de instrucciones para su consulta futura.

¡Lea las "Indicaciones generales de seguridad para herramientas eléctricas" adjuntas y las indicaciones de seguridad restantes de este manual de instrucciones!

Este manual de instrucciones incluye indicaciones importantes para la puesta en marcha y el manejo. Adjunte el manual si entrega el producto a terceros.

Las baterías y los cargadores Maxxpack están disponibles online y en tiendas participantes.

1. Explicación de los símbolos

En el manual de usuario o el producto se emplean los símbolos siguientes:



ADVERTENCIA - Lea el manual de instrucciones para reducir el riesgo de lesiones.



Signo de advertencia general – Permanezca atento y tenga cuidado con los peligros generales.



Utilice gafas protectoras.



CE significa "Conformité Européenne", esto quiere decir "Conformidad con Directivas UE". Mediante el marcado CE el fabricante confirma que la herramienta eléctrica cumple las directivas europeas vigentes.



¡No eliminar en la basura doméstica!

2. Indicaciones de seguridad adicionales

- El dispositivo debe emplearse conforme a lo previsto. Durante el trabajo con el dispositivo tenga en cuenta las circunstancias locales y tenga cuidado con las personas cerca de usted.
- Compruebe si el dispositivo presenta daños antes de usarlo y no emplee un dispositivo defectuoso. Si el dispositivo

estuviera dañado, no lo use y encargue su reparación a un especialista o póngase en contacto con nuestro servicio de atención al cliente. No desarme el dispositivo y no intente repararlo por su cuenta.

- El dispositivo no debe ser manejado por niños o personas que no hayan recibido una instrucción adecuada.
- Este dispositivo puede ser empleado por personas con sus capacidades físicas, sensoriales o intelectuales mermadas o carentes de conocimientos y experiencia, si están bajo supervisión o son instruidas sobre cómo emplear el dispositivo de forma segura y entender los peligros relacionados con el mismo. Los niños no deben jugar con el dispositivo.
- Está prohibido que los niños realicen tareas de limpieza y mantenimiento sin vigilancia.
- Mantenga a los niños vigilados para que no jueguen con el dispositivo.
- Sujete el dispositivo bien y firmemente al encenderlo.
- El dispositivo no debe emplearse en zonas explosivas.
 - Utilice siempre protección ocular.
- Este dispositivo es apto para su uso en interiores y exteriores, pero no debe emplearse bajo la lluvia.
- Asegúrese de que el accesorio del cepillo se haya instalado correctamente antes de usarlo.
 - No presione el cepillo en espacios estrechos durante el uso.
 - No toque ninguna pieza en rotación, mientras el dispositivo se esté empleando.

3. Contenido del embalaje

- 1× Twin brush - cepillo con batería (unidad del motor y unidad de alimentación eléctrica)
- 1× asidero adicional incl. material de fijación
- 1× cepillo mediano (pieza interior y exterior del cepillo)
- 1× manual de instrucciones

4. Antes del primer uso

Extraiga el dispositivo y todos los accesorios del embalaje. Guarde el material de embalaje

fuera del alcance de los niños. ¡Existe peligro de asfixia!

Compruebe que ninguna pieza presenta daños derivados del transporte y no emplee un dispositivo defectuoso.

4.1. Montaje

- a. Coloque la unidad del motor **(17)** y la unidad de alimentación eléctrica **(5)** con los extremos del tubo uno frente al otro.
- b. Extraiga ligeramente el conector **(20)** con ayuda del tirador **(21)** y el enchufe **(22)** de los extremos del tubo. (véase **fig. B**)
- c. Una el conector y el enchufe con las flechas apuntando una a la otra y atorníllelos.
- d. Inserte los dos extremos del tubo con las flechas apuntando la una a la otra y atorníllelos empleando el casquillo del mango **(2)**.
- e. Inserte la manguera de agua **(13)** en la conexión de la unidad del motor. (véase **fig. C**)
- f. Guíe la manguera de agua por el clip de sujeción **(1)** y el soporte de la unidad del motor.
Tenga cuidado de que la manguera de agua de la unidad del motor posea una longitud suficiente para que el cabezal ajustable del cepillo pueda moverse libremente.
- g. Conecte el adaptador de manguera **(11)** con la manguera de agua.
- h. Deslice el adaptador de manguera por el carril de guía del clip de fijación **(12)**. (véase **fig. D**)

5. Uso conforme al fin previsto

El producto ha sido diseñado para limpiar superficies en interiores y exteriores en entornos privados. El producto puede emplearse en seco o con agua. No ha sido diseñado para su uso comercial continuado.

El uso conforme al fin previsto incluye también el cumplimiento del manual.

Cualquier uso que lo exceda (otros medios, aplicación de violencia) o la modificación por cuenta propia (remodelación, uso de acce-

sorios no originales) puede dar lugar a peligros y se considera no conforme a lo previsto.

Emplee únicamente accesorios recomendados por el proveedor.

6. Manejo

6.1. Colocación/cambio de la batería

La cubierta de la batería la protege de la humedad y la suciedad.

- a. Emplee el dispositivo con agua únicamente con la cubierta de la batería bien cerrada.
- b. Tenga cuidado de que la junta y el borde de goma de la cubierta de la batería estén limpios y secos.
- a. Suelte el gancho sujetador **(6)** y abra la cubierta de la batería **(7)**.
- b. Introduzca o retire la batería (véase **fig. E**).
- c. **¡Compruebe la junta siempre antes de cerrar la cubierta de la batería!**

Elimine la suciedad y los cuerpos extraños del área de la junta y compruebe que esta esté colocada y no presente desperfectos.

- d. Cierre la cubierta de la batería y bloquéela con el gancho sujetador.

6.2. Montaje/cambio del cepillo

- a. Bloquee el eje con el botón de bloqueo del eje **(16)** y atornille la pieza exterior del cepillo **(15)** en sentido horario (véase **fig. F**).
- b. Coloque la pieza interior del cepillo **(14)** y bloquéela en sentido antihorario.
- c. Para soltarla desbloquee y retire la pieza interior del cepillo en sentido horario.
- d. Bloquee el eje con el botón de bloqueo del eje y desenrosque la pieza exterior del cepillo en sentido antihorario.

6.3. Ajuste del ángulo de inclinación del cepillo

El cabezal no debe fijarse si el dispositivo se va a emplear sobre el suelo. Así el cabezal podrá desplazarse junto con la superficie a limpiar.

Fije el cabezal únicamente si el dispositivo se emplea por encima de la altura de los hombros.

- a. Despliegue la palanca de bloqueo **(18)** completamente (véase **fig. G**).
- b. Ajuste la inclinación del cepillo conforme a las necesidades individuales y fíjela plegando la palanca de bloqueo.
No ejerza una fuerza excesiva al cerrar la palanca de bloqueo. Si la palanca de bloqueo no se cierra correctamente, ajuste la inclinación del cepillo ligeramente.

6.4. Ajuste del asidero adicional

- a. Afloje el tornillo de fijación **(3)**. (véase **fig. H**)
- b. Ajuste la posición del clip de fijación **(12)** y la inclinación del asidero adicional **(4)** según sus necesidades y vuelva a apretar el tornillo de fijación.

6.5. Trabajar con el dispositivo

- a. Para el uso en húmedo cierre la llave de cierre y conecte el adaptador de manguera con su suministro de agua. Ajuste la cantidad de agua con la llave de cierre. (véase **fig. A**)
- b. Para encender el dispositivo, presione el botón conexión/desconexión **(8)**.
No es necesario mantener pulsado el botón conexión/desconexión durante el trabajo.
Ejerza siempre solo una presión mínima (ligero movimiento de avance) sobre el dispositivo, mientras trabaja. Desplace el dispositivo hacia delante de forma suave y uniforme.
- c. Para apagarlo presione el botón conexión/desconexión de nuevo.

6.6. Montaje de la prolongación (accesorio opcional)

La prolongación es un accesorio opcional y no se entrega con el dispositivo. No emplee más de una prolongación con el dispositivo.

- a. Extraiga el adaptador de manguera **(11)** del carril de guía del clip de fijación **(12)**. (véase **fig. I**)
- b. Desenrosque el casquillo del mango **(2)** y separe los dos extremos del tubo.

- c. Afloje el atornillamiento y separe el enchufe **(22)** y el conector **(20)**.
- d. Coloque la unidad del motor **(17)** y la prolongación **(19)** con los extremos del tubo uno frente al otro.
- e. Extraiga ligeramente el conector **(20)** con ayuda del tirador **(21)** y el enchufe **(22)** de los extremos del tubo. (véase **fig. B**)
- f. Una el conector y el enchufe con las flechas apuntando una a la otra y atorníllelos.
- g. Inserte los dos extremos del tubo con las flechas apuntando la una a la otra y atorníllelos empleando el casquillo del mango **(2)**.
- h. Coloque la unidad de alimentación eléctrica **(5)** y la prolongación **(19)** con los extremos del tubo uno frente al otro.
- i. Extraiga ligeramente el conector **(20)** con ayuda del tirador **(21)** y el enchufe **(22)** de los extremos del tubo.
- j. Una el conector y el enchufe con las flechas apuntando una a la otra y atorníllelos.
- k. Inserte los dos extremos del tubo con las flechas apuntando la una a la otra y atorníllelos empleando el casquillo del mango **(2)**.
- l. Deslice el adaptador de manguera **(11)** por el carril de guía del casquillo **(23)**.

7. Mantenimiento, limpieza y almacenamiento

Mantenga el dispositivo y los accesorios limpios y en buen estado para poder trabajar bien y con seguridad.

Retirar la batería del dispositivo antes de realizar cualquier trabajo.



Sumerja el cepillo durante 30 segundos en agua caliente (90 °C) si sus cerdas se han deformado debido al transporte o un almacenamiento erróneo. Las cerdas recobrarán su forma original.

8. Datos técnicos

Tipo de batería:	18 V, 4000 mAh, iones de litio
Número de revoluciones al ralentí ($\varnothing 100/180$ mm):	200/400 rpm
Nivel de presión sonora L_{PA} :	66 dB(A)
Incertidumbre K_{PA} :	3 dB(A)
Nivel de potencia acústica L_{WA} :	77 dB(A)
Incertidumbre K_{WA} :	3 dB(A)
Vibración brazo-mano a_{hb} :	3,91 m/s ²
Incertidumbre K:	1,5 m/s ²

8.1. Nivel de vibración

El valor de oscilación total y los valores de emisión acústica indicados han sido medidos de conformidad con un método de prueba normalizado (EN 62841) y pueden emplearse para comparar una herramienta eléctrica con otra. También se pueden emplear para realizar una estimación provisional de la carga.

¡Advertencia!

Las emisiones de vibraciones y sonoras pueden diferir de los valores indicados durante el uso real de la herramienta eléctrica, dependiendo de la forma en la que se emplee la herramienta eléctrica, y, especialmente, del tipo de pieza de trabajo procesado.

Es necesario determinar medidas de seguridad para proteger al usuario que estén basadas en una evaluación de la carga por oscilación durante las condiciones de uso reales (aquí deben tenerse en cuenta todas las partes del ciclo de funcionamiento, como, por ejemplo, los tiempos, en los que la herramienta eléctrica está desconectada y aquellos en los que está conectada, pero funciona sin carga).

Intente reducir al mínimo posible la carga derivada de las vibraciones y los ruidos. Las medidas para reducir la carga por vibraciones incluyen, por ejemplo, el empleo de guantes durante el uso de la herramienta, la limitación del tiempo de trabajo y el uso de accesorios en buen estado.

9. Accesorios - disponibles opcionalmente

Artículo **Cepillo duro (rojo)** Art. n.º **7064253**

Pelo grueso y fuerte para zonas difíciles
Ideal para azulejos y baldosas (de cerámica) en interiores y exteriores, muebles de madera de exterior, techos de madera, paredes, puertas de garajes y mucho más

Artículo **Cepillo medio (azul)** Art. n.º **7064252**

Pelos de grosor medio para la limpieza general

Ideal para botes, azulejos y baldosas (de cerámica) en interiores y exteriores, muebles de madera de exterior, techos de madera, paredes, suelos y mucho más

Artículo **Cepillo blando (negro)** Art. n.º **7064251**

Pelos suaves para superficies delicadas
Ideal para botes, caravanas, baldosas, azulejos, superficies de metal y mucho más

Artículo **Prolongación** Art. n.º **7064279**

Prolongación del alcance de aprox. 85 cm.

10. Eliminación



Estimado cliente, ayúdenos a prevenir los residuos. Si alguna vez deseara deshacerse de este artículo, le rogamos que tenga en cuenta que muchos de sus componentes están fabricados de materias primas valiosas que pueden reutilizarse. No lo elimine por ello en el contenedor de basura, entréguelo en un punto de recogida para materiales reciclables.

10.1 Pilas

Piense en la protección del medio ambiente al eliminar las pilas. Póngase en contacto con las autoridades locales para recabar información sobre una eliminación respetuosa con el medio ambiente.

11. Declaración de conformidad

Nosotros, **Batavia B.V., Weth. Wassebalies-
traat 6d, NL-7951 SN Staphorst**, declaramos
bajo responsabilidad exclusiva que el producto
**Cepillo doble, artículo n.º 7064170, modelo
n.º BT-CTB001** cumple los requisitos esen-
ciales de seguridad, determinados en las Direc-
tivas europeas 2014/30/UE de compatibilidad
electromagnética (CEM), 2006/42/CE
máquinas, RoHS: 2011/65/UE y sus modifica-
ciones. Para la valoración de la conformidad
han servido de referencia las normas armoni-
zadas siguientes:

EN62841-1:2015+A15;

EN IEC 62841-2-3:2021;

ISO12100:2010;

AfPS GS 2019:01;

EN IEC 55014-1:2021;

EN IEC 55014-2:2021

Staphorst, a 1 de abril de 2022



Meino Seinen, responsable de calidad de
Batavia B.V., Weth. Wassebaliestraat 6d, 7951
SN Staphorst, Países Bajos

El producto y el manual de usuario pueden
someterse a cambios. Los datos técnicos
pueden modificarse sin previo aviso.

Estimado cliente

Familiarize-se com o aparelho pela ordem dos capítulos e guarde este manual de operação num local para futura consulta.

Leia as "Instruções de segurança gerais para ferramentas elétricas" fornecidas e todas as outras instruções de segurança neste manual de instruções!

Este manual de operação contém informações importantes sobre a colocação em funcionamento e o manuseamento. Se entregar o produto a terceiros, entregue também o manual.

As baterias e os carregadores Maxxpack estão disponíveis online e nas lojas aderentes.

1. Explicação dos símbolos

Os seguintes símbolos são usados no manual de utilização ou no produto:



ADVERTÊNCIA - Para reduzir o risco de ferimentos, leia o manual de operação.



Sinal de advertência geral – Esteja alerta e atento aos perigos gerais.



Use óculos de proteção.



CE significa "Conformité Européenne", ou seja, "conformidade com as diretivas da UE". Com a marcação CE, o fabricante confirma que esta ferramenta elétrica está em conformidade com as diretivas europeias aplicáveis.



Não deite o aparelho no lixo doméstico!

2. Instruções de segurança adicionais

- O aparelho tem de ser utilizado como previsto. Ao trabalhar com o aparelho, preste atenção às condições locais e a outras pessoas nas proximidades.
- Antes de utilizar o aparelho, verifique se este apresenta danos e não o utilize caso esteja danificado. Se o aparelho estiver danificado, não o utilize e mande repará-lo por um profissional ou contacte o nosso

serviço de assistência ao cliente. Não desmonte o aparelho nem tente repará-lo sozinho.

- O aparelho não pode ser operado por crianças ou pessoas que não tenham sido devidamente instruídas.
- Este aparelho pode ser utilizado por pessoas com capacidades físicas, sensoriais ou mentais limitadas ou com falta de experiência e conhecimentos, se forem vigiadas ou tiverem sido instruídas relativas ao uso do aparelho de uma forma segura e compreenderem os riscos envolvidos. As crianças não devem brincar com o aparelho.
- Não é permitido às crianças realizar a limpeza e a manutenção sem supervisão.
- Vigie as crianças para que não brinquem com o aparelho.
- Segure o aparelho com firmeza e segurança ao ligá-lo.
- O aparelho não pode ser operado em áreas potencialmente explosivas.
- Use sempre proteção ocular.
- Este aparelho é adequado para uso em interiores e exteriores, mas não pode ser utilizado à chuva.
- Certifique-se de que o acessório da escova está corretamente instalado antes de utilizar o aparelho.
- Não pressione a escova contra espaços apertados durante a utilização.
- Não toque em nenhuma peça rotativa quando o aparelho estiver a ser utilizado.

3. Conteúdo da embalagem

1x Twin brush - Escova com bateria (unidade do motor e fonte de alimentação)

1x punho lateral, incl. material de fixação

1x escova média (parte exterior e interior da escova)

1x manual de operação

4. Antes da primeira utilização

Retire o aparelho e todos os acessórios da embalagem. Guarde o material de embalagem fora do alcance das crianças. Existe risco de asfixia!

Verifique todas as peças quanto a danos de transporte e não utilize o aparelho, se apresentar danos.

4.1. Montagem

- Coloque a unidade do motor **(17)** e a fonte de alimentação **(5)** com as extremidades do tubo voltadas uma para a outra.
- Puxe ligeiramente o conector fêmea **(20)**, com a ajuda da patilha de puxar **(21)**, e o conector macho **(22)** para fora das extremidades do tubo (ver **fig. B**).
- Encaixe o conector macho no conector fêmea com as setas apontadas uma para a outra e enrosque-os.
- Encaixe as duas extremidades do tubo com as setas apontadas uma para a outra e enrosque com a manga do punho **(2)**.
- Encaixe a mangueira de água **(13)** na ligação na unidade do motor (ver **fig. C**).
- Passa a mangueira de água através da mola de retenção **(1)** e do suporte na unidade do motor.

Certifique-se de que a mangueira de água na unidade do motor é suficientemente longa para que a cabeça da escova ajustável se possa mover sem restrições.

- Ligue o adaptador de mangueira **(11)** à mangueira de água.
- Introduza o adaptador de mangueira na barra guia da mola de fixação **(12)** (ver **fig. D**).

5. Utilização adequada

O produto destina-se à limpeza de superfícies interiores e exteriores em áreas privadas. O produto pode ser usado a seco ou com água. Não se destina a utilização contínua a nível comercial.

O cumprimento das instruções também faz parte da utilização prevista.

Qualquer utilização para além desta (outros líquidos, uso de força) ou modificação não autorizada (transformação, uso de acessórios não originais) pode causar perigos e é considerada utilização inadequada.

Utilize apenas acessório recomendado pelo fornecedor.

6. Operação

6.1. Introduzir/substituir a bateria

A tampa da bateria protege a bateria da humidade e da sujidade.

- Utilize o aparelho apenas com água, quando a tampa da bateria está devidamente fechada.
- Certifique-se de que a vedação e a junta de borracha da tampa da bateria estão limpas e secas.
- Soltar o fecho de mola **(6)** e abrir a tampa da bateria **(7)**.
- Introduzir ou remover a bateria (ver **fig. E**).
- Verifique sempre a vedação antes de fechar a tampa da bateria!**

Remova a sujidade e os corpos estranhos na área da vedação e verifique se a vedação está presente e sem danos.

- Feche a tampa da bateria e tranque-a com o fecho de mola.

6.2. Montar/trocar a escova

- Bloqueie o eixo com o botão de bloqueio do eixo **(16)** e enrosque a parte exterior da escova **(15)** no sentido dos ponteiros do relógio (ver **fig. F**).
- Encaixe a parte interior da escova **(14)** e bloqueie-a no sentido contrário ao dos ponteiros do relógio.
- Para soltar a parte interior da escova, desbloqueie e rode no sentido dos ponteiros do relógio.
- Bloqueie o eixo com o botão de bloqueio do eixo e desenrosque a parte exterior da escova no sentido contrário ao dos ponteiros do relógio.

6.3. Ajuste o ângulo de inclinação da escova

Ao usar o aparelho no chão, a cabeça não deve ficar fixa. A cabeça pode então mover-se juntamente com a superfície a ser limpa.

Fixe a cabeça apenas quando usar o aparelho acima da altura dos ombros.

- Abra a alavanca de bloqueio **(18)** completamente (ver **fig. G**).
- Ajuste a inclinação da escova de acordo com as necessidades individuais e fixe-a, fechando a alavanca de bloqueio.

Não aperte a alavanca de bloqueio com muita força. Se a alavanca de bloqueio não fechar corretamente, ajuste ligeiramente a inclinação da escova.

6.4. Ajustar o punho lateral

- Solte o parafuso de bloqueio **(3)** (ver **fig. H**).
- Ajuste a posição da mola de fixação **(12)** e a inclinação do punho lateral **(4)** às suas necessidades e aperte novamente o parafuso de bloqueio.

6.5. Realização de trabalhos com o aparelho

- Para uso com água, feche a válvula de fecho e ligue o adaptador de mangueira à rede de água doméstica. Regule o fluxo de água com a válvula de fecho (ver **fig. A**).
- Pressione o interruptor ligar/desligar **(8)** para ligar o aparelho.

Não é necessário segurar o interruptor ligar/desligar enquanto trabalha.

Aplique uma pressão mínima (movimento de avanço ligeiro) no aparelho quando estiver a trabalhar. Empurre o aparelho para a frente de forma suave e uniforme.

- Volte a pressionar o interruptor ligar/desligar para desligar o aparelho.

6.6. Montar a extensão (acessório opcional)

A extensão é um acessório opcional e não é fornecida com o aparelho. Não utilize mais do que uma extensão com o aparelho.

- Puxe o adaptador de mangueira **(11)** da barra guia da mola de fixação **(12)** (ver **fig. I**).

- Desaperte a manga do punho **(2)** e puxe as duas extremidades do tubo para fora.
- Solte a união roscada e separa o conector macho **(22)** do conector fêmea **(20)**.
- Coloque a unidade do motor **(17)** e a extensão **(19)** com as extremidades do tubo voltadas uma para a outra.
- Puxe ligeiramente o conector fêmea **(20)**, com a ajuda da patilha de puxar **(21)**, e o conector macho **(22)** para fora das extremidades do tubo (ver **fig. B**).
- Encaixe o conector macho no conector fêmea com as setas apontadas uma para a outra e enrosque-os.
- Encaixe as duas extremidades do tubo com as setas apontadas uma para a outra e enrosque com a manga do punho **(2)**.
- Coloque a fonte de alimentação **(5)** e a extensão **(19)** com as extremidades do tubo voltadas uma para a outra.
- Puxe ligeiramente o conector fêmea **(20)**, com a ajuda da patilha de puxar **(21)**, e o conector macho **(22)** para fora das extremidades do tubo.
- Encaixe o conector macho no conector fêmea com as setas apontadas uma para a outra e enrosque-os.
- Encaixe as duas extremidades do tubo com as setas apontadas uma para a outra e enrosque com a manga do punho **(2)**.
- Introduza o adaptador de mangueira **(11)** na barra guia da manga **(23)**.

7. Manutenção, limpeza e armazenamento

Mantenha o aparelho e os acessórios limpos e em boas condições para trabalhar bem e em segurança.

Remova a bateria do aparelho antes de todos os trabalhos.



Se as cerdas da escova estiverem deformadas devido ao transporte ou ao armazenamento incorreto, submerja a escova em água quente (90 °C) durante 30 segundos. As cerdas recuperarão a sua forma original.

8. Dados técnicos

Tipo de bateria:	18 V, 4000 mAh, íons de lítio
Velocidade de rotação lenta (\varnothing 100/180 mm):	200/400 min ⁻¹
Nível de pressão sonora L_{PA} :	66 dB(A)
Incerteza K_{PA} :	3 dB(A)
Nível de potência sonora L_{WA} :	77 dB(A)
Incerteza K_{WA} :	3 dB(A)
Vibrações transmitidas ao sistema mão-braço a_{hb} :	3,91 m/s ²
Incerteza K:	1,5 m/s ²

8.1. Nível de vibração

O valor total de vibrações indicado e os valores de emissão de ruído indicados foram medidos de acordo com um método de teste normalizado (EN 62841) e podem ser utilizados para realizar a comparação entre ferramentas elétricas. Estes podem também ser utilizados para a realização de uma avaliação preliminar da exposição.

Advertência!

As emissões de vibração e ruído durante a utilização efetiva da ferramenta elétrica podem divergir dos valores indicativos, dependendo da forma como a ferramenta elétrica é utilizada, em particular do tipo de peça de trabalho que se encontra em processamento.

É necessário definir medidas de segurança para a proteção do utilizador, baseadas numa avaliação da carga vibratória durante as efetivas condições de utilização (aqui devem ser consideradas todas as fases do ciclo de funcionamento, por exemplo, tempos durante os quais a ferramenta elétrica está desligada e aqueles durante os quais está ligada mas a funcionar sem carga).

Tente minimizar a exposição às vibrações e ao ruído ao mínimo. As medidas para reduzir a exposição às vibrações incluem, por exemplo, o uso de luvas durante a utilização da ferramenta, a limitação do tempo de trabalho e a utilização de acessórios em boas condições.

9. Acessório - opcionalmente disponível

Artigo **N.º do artigo** **Escova dura (vermelha) 7064253**

Cerdas espessas e resistentes para áreas difíceis

Perfeita para ladrilhos (cerâmica) no interior e no exterior, móveis de madeira no exterior, decks de madeira, paredes, portões de garagem, etc.

Escova média (azul) 7064252

Cerdas de média resistência para limpeza geral

Perfeita para barcos, ladrilhos (cerâmica) no interior e no exterior, móveis de madeira no exterior, decks de madeira, paredes, pavimentos, etc.

Escova macia (preta) 7064251

Cerdas macias para superfícies delicadas

Perfeita para barcos, caravanas/autocaravanas, ladrilhos, superfícies metálicas, etc.

Extensão 7064279

Extensão do alcance em aprox. 85 cm.

10. Eliminação



Caro cliente, ajude a evitar resíduos. Se alguma vez se quiser desfazer deste artigo, tenha em mente que muitos dos seus componentes são fabricados a partir de matérias-primas valiosas e podem ser reciclados. Por isso, não o deite no lixo, entregando-o antes no ponto de recolha de materiais.

10.1 Baterias

Pense na proteção do ambiente quando eliminar as baterias. Contacte as autoridades locais para uma eliminação ecológica.

11. Declaração de Conformidade

Nós, **Batavia B.V., Weth. Wassebaliestraat 6d, 7951 SN Staphorst**, declaramos, sob a nossa inteira responsabilidade, que o produto **Escova dupla, n.º de artigo 7064170, n.º de modelo BT-CTB001**, cumpre os requisitos essenciais de proteção estabelecidos nas Diretivas 2014/30/UE (Compatibilidade Eletromagnética, CEM), 2006/42/CE (Máquinas), 2011/65/UE (RoHS) e as respetivas alterações. Foram aplicadas as seguintes normas harmonizadas para a avaliação de conformidade:

EN62841-1:2015+A15;
EN IEC 62841-2-3:2021;
ISO12100:2010;
AfPS GS 2019:01;
EN IEC 55014-1:2021;
EN IEC 55014-2:2021

Staphorst, 1 de abril de 2022



Meino Seinen, gestor de qualidade
Batavia B.V., Weth. Wassebaliestraat 6d, 7951
SN Staphorst, Países Baixos

O produto e o manual de utilização podem sofrer alterações. Os dados técnicos estão sujeitos a alterações sem aviso prévio.

Szanowni Państwo

Zapoznaj się z urządzeniem zgodnie z kolejnością rozdziałów i zachowaj niniejszą instrukcję obsługi do późniejszego użycia.

Przeczytaj dołączone „Ogólne informacje dotyczące bezpieczeństwa – elektronarzędzia” oraz wszystkie inne informacje dotyczące bezpieczeństwa zawarte w niniejszej instrukcji obsługi!

Niniejsza instrukcja obsługi zawiera ważne wskazówki dotyczące uruchomienia i obsługi. Przekazując produkt osobom trzecim, dołącz również niniejszą instrukcję obsługi.

Akumulatory i ładowarki Maxxpack są dostępne w internecie oraz w sklepach biorących udział w programie.

1. Objasnienie symboli

W podręczniku użytkownika lub na produkcie stosowane są następujące symbole:



OSTRZEŻENIE – Aby zmniejszyć ryzyko obrażeń, należy przeczytać instrukcję obsługi.



Ogólny znak ostrzegawczy – Zachowaj czujność i świadomość ogólnych zagrożeń.



Noś okulary ochronne.



CE to skrót od „Conformité Européenne”, co oznacza „Zgodność z dyrektywami UE”. Znak CE oznacza, że producent potwierdza zgodność tego elektronarzędzia z obowiązującymi dyrektywami europejskimi.



Nie wyrzucać do odpadów domowych!

2. Dodatkowe informacje dotyczące bezpieczeństwa

- Urządzenie musi być używane zgodnie z przeznaczeniem. Podczas pracy urządzeniem zwracaj uwagę na warunki lokalne i inne osoby znajdujące się w pobliżu.
- Przed użyciem sprawdź, czy urządzenie nie jest uszkodzone. Nie używaj uszkodzo-

nego urządzenia. Jeśli urządzenie jest uszkodzone, nie używaj go i zleć jego naprawę specjalście lub skontaktuj się z naszym serwisem. Nie demontuj urządzenia i nie próbuj go naprawiać samodzielnie.

- Urządzenia nie wolno obsługiwać dzieciom ani osobom, które nie zostały odpowiednio poinstruowane.
- Urządzenia mogą używać osoby o ograniczonych zdolnościach fizycznych, sensorycznych lub umysłowych, a także osoby nieposiadające doświadczenia i wiedzy, jeżeli użytkowanie odbywa się pod nadzorem lub zostały one poinstruowane w zakresie bezpiecznego użytkowania urządzenia i rozumieją związane z tym zagrożenia. Dzieciom nie wolno bawić się urządzeniem.
- Dzieciom nie wolno przeprowadzać czyszczenia i konserwacji bez nadzoru.
- Dopilnuj, aby dzieci nie bawiły się urządzeniem.
- Podczas włączania trzymaj urządzenie mocno i pewnie.
- Urządzenia nie wolno stosować w miejscach, w których istnieje zagrożenie wybuchem.
- Zawsze stosuj ochronę oczu.
- Urządzenie jest przeznaczone do użytku wewnątrz i na zewnątrz pomieszczeń, ale nie wolno go używać w czasie deszczu.
- Przed użyciem upewnij się, że elementy wyposażenia szczotki są prawidłowo zamontowane.
- Podczas użytkowania nie należy wciskać szczotki w wąskie szczeliny.
- Podczas pracy urządzenia nie dotykaj wirujących części.

3. Zawartość opakowania

1× Twin brush – szczotka akumulatorowa (jednostka silnika i jednostka zasilająca)

1× dodatkowy uchwyt wraz z materiałami mocującymi

1× szczotka średnia (zewnątrzna i wewnątrzna część szczotki)

1× instrukcja obsługi

4. Przed pierwszym użyciem

Wymij urządzenie i wszystkie elementy wyposażenia z opakowania. Przechowuj materiał opakowaniowy poza zasięgiem dzieci. Niebezpieczeństwo uduszenia!

Sprawdź wszystkie części pod kątem uszkodzeń transportowych i nie używaj uszkodzonego urządzenia.

4.1. Montaż

- a. Ułóż jednostkę silnika **(17)** i jednostkę zasilającą **(5)** końcówkami rurek do siebie.
- b. Trzymając za wypustkę **(21)** lekko wyciągnij gniazdo **(20)** oraz wtyczkę **(22)** z końcówek rurek. (patrz **rys. B**)
- c. Połącz gniazdo i wtyczkę, tak aby strzałki były skierowane do siebie, i skręć je.
- d. Połącz obie końcówki rurek, tak aby strzałki były skierowane do siebie i skręć je za pomocą tulei uchwyty **(2)**.
- e. Włóż wąż do wody **(13)** do przyłącza na jednostce silnika. (patrz **rys. C**)
- f. Przelóż wąż przez klipsa mocujący **(1)** i uchwyt na jednostce silnika.
Upewnij się, że wąż do wody ma odpowiednią długość przy jednostce silnika, tak aby regulowana głowica szczotki mogła się swobodnie poruszać.
- g. Połącz adapter węża **(11)** z wężem do wody.
- h. Nasuń adapter węża na szynę prowadzącą klipsa mocującego **(12)**. (patrz **rys. D**)

5. Użytkowanie zgodne z przeznaczeniem

Produkt jest przeznaczony do czyszczenia powierzchni we wnętrzach i na zewnątrz budynków na terenach prywatnych. Produkt można stosować na sucho lub z użyciem wody. Nie jest on przeznaczony stałego użytku komercyjnego.

Zastosowanie zgodne z przeznaczeniem obejmuje również przestrzeganie niniejszej instrukcji.

Każde zastosowanie wykraczające poza ten zakres (inne media, użycie siły) lub samowolna

modyfikacja (przebudowa, brak oryginalnych elementów wyposażenia) może spowodować zagrożenie i jest uważane za niewłaściwe użycie.

Używaj wyłącznie elementów wyposażenia zalecanych przez dostawcę.

6. Obsługa

6.1. Wkładanie / wymiana akumulatora

Pokrywa akumulatora chroni akumulator przed wilgocią i brudem.

- a. Używaj urządzenia z wodą, tylko jeśli pokrywa akumulatora jest prawidłowo zamknięta.
- b. Upewnij się, że uszczelka i gumowe obrzeże pokrywki akumulatora są czyste i suche.
- a. Poluzuj zatrzask **(6)** i otwórz pokrywę akumulatora **(7)**.
- b. Włóż lub wyjmij akumulator (patrz **rys. E**).
- c. **Przed zamknięciem pokrywki akumulatora zawsze sprawdzaj uszczelkę!**

Usuń zanieczyszczenia i ciała obce w obszarze uszczelnienia oraz sprawdź, czy uszczelka jest na miejscu i czy nie jest nieuszkodzona.

- d. Zamknij pokrywę akumulatora i zablokuj ją za pomocą zatrzasku.

6.2. Montaż / wymiana szczotki

- a. Zablokuj wał za pomocą przycisku blokującego wał **(16)** i przykręć zewnętrzną część szczotki **(15)** zgodnie z ruchem wskazówek zegara (patrz **rys. F**).
- b. Włóż wewnętrzną część szczotki **(14)** i zablokuj ją w kierunku przeciwnym do ruchu wskazówek zegara.
- c. Aby zdemontować, odblokuj wewnętrzną część szczotki w kierunku zgodnym z ruchem wskazówek zegara i wyjmij ją.
- d. Zablokuj wał za pomocą przycisku blokującego wał i odkręć zewnętrzną część szczotki w kierunku przeciwnym do ruchu wskazówek zegara.

6.3. Regulacja kąta nachylenia szczotki

W przypadku stosowania urządzenia na podłodze głowica nie powinna być zablokowana. Głowica może się wtedy poruszać odpowiednio do czyszczonej powierzchni.

Zablokuj głowicę tylko wówczas, jeśli używasz urządzenia na wysokości powyżej ramion.

- Odchyl całkowicie dźwignię blokującą **(18)** (patrz **rys. G**).
- Dopasuj nachylenie szczotki do indywidualnych potrzeb i zablokuj ją, zamykając dźwignię blokującą.

Nie naciskaj dźwigni blokującej z dużą siłą. Jeżeli dźwignia blokująca nie zamyka się prawidłowo, lekko zmień nachylenie szczotki.

6.4. Regulacja dodatkowego uchwytu

- Poluzuj śrubę blokującą **(3)**. (patrz **rys. H**)
- Dostosuj położenie klipsa mocującego **(12)** i nachylenie dodatkowego uchwytu **(4)** do własnych potrzeb i ponownie dokręć śrubę blokującą.

6.5. Praca z urządzeniem

- W przypadku pracy na mokro zamknij zawór odcinający i podłącz adapter węża do źródła wody. Reguluj ilość wody za pomocą zaworu odcinającego. (patrz **rys. A**)
- Aby włączyć urządzenie, naciśnij włącznik/wyłącznik **(8)**.

Podczas pracy nie trzeba trzymać włącznika/wyłącznika.

Podczas pracy wywieraj tylko minimalny nacisk na urządzenie (lekki ruch posuwisty). Przesuwaj urządzenie delikatnie i równomiernie do przodu.

- Aby wyłączyć urządzenie, ponownie naciśnij włącznik/wyłącznik.

6.6. Montaż przedłużki (opcjonalny element wyposażenia)

Przedłużka stanowi opcjonalny element wyposażenia i nie jest dostarczana wraz z urządzeniem. Nie stosuj w urządzeniu więcej niż jednej przedłużki.

- Zsuń adapter węża **(11)** z szyny prowadzącej klipsa mocującego **(12)**. (patrz **rys. I**)
- Odkręć tuleję uchwytu **(2)** i rozłącz końcówki rurek.
- Odkręć połączenie śrubowe i rozłącz wtyczkę **(22)** i gniazdo **(20)**.
- Ułóż jednostkę silnika **(17)** i przedłużkę **(19)** końcówkami rurek do siebie.
- Trzymając za wypustkę **(21)** lekko wyciągnij gniazdo **(20)** oraz wtyczkę **(22)** z końcówek rurek. (patrz **rys. B**)
- Połącz gniazdo i wtyczkę, tak aby strzałki były skierowane do siebie, i skręć je.
- Połącz obie końcówki rurek, tak aby strzałki były skierowane do siebie i skręć je za pomocą tulei uchwytu **(2)**.
- Ułóż jednostkę zasilającą **(5)** i przedłużkę **(19)** końcówkami rurek do siebie.
- Trzymając za wypustkę **(21)** lekko wyciągnij gniazdo **(20)** oraz wtyczkę **(22)** z końcówek rurek.
- Połącz gniazdo i wtyczkę, tak aby strzałki były skierowane do siebie, i skręć je.
- Połącz obie końcówki rurek, tak aby strzałki były skierowane do siebie i skręć je za pomocą tulei uchwytu **(2)**.
- Nasuń adapter węża **(11)** na szynę prowadzącą tulei **(23)**.

7. Konserwacja, czyszczenie i przechowywanie

Utrzymuj urządzenie i elementy wyposażenia w dobrym stanie technicznym i czystości, aby zapewnić jego prawidłowe i bezpieczne działanie.

Przed przystąpieniem do jakichkolwiek prac przy urządzeniu należy wyjąć z niego akumulator.



Jeżeli włosie szczotki uległo deformacji w wyniku transportu lub nieprawidłowego przechowywania, zanurz szczotkę na 30 sekund w gorącej wodzie (90 °C). Włosie powróci do swojego pierwotnego kształtu.

8. Dane techniczne

Typ akumulatora:	18 V, 4000 mAh, Li-Ion
Prędkość obrotowa biegu jałowego (Ø100/180 mm):	200/400 min ⁻¹
Poziom ciśnienia akustycznego L _{pa} :	66 dB(A)
Niepewność K _{pa} :	3 dB(A)
Poziom mocy akustycznej L _{wa} :	77 dB(A)
Niepewność K _{wa} :	3 dB(A)
Wibracja ręki i ramienia a _{hb} :	3,91 m/s ²
Niepewność K:	1,5 m/s ²

8.1. Poziom wibracji

Podaną całkowitą wartość drgań oraz wartości emisji hałasu zmierzono zgodnie ze znormalizowaną procedurą (EN 62841) i można ich używać do porównywania różnych elektronarzędzi. Można ich również używać do wstępnej oceny obciążenia.

Ostrzeżenie!

Podczas rzeczywistego użytkowania elektronarzędzia emisje drgań i hałasu mogą odbiegać od podanych wartości w zależności od sposobu użytkowania elektronarzędzia, a szczególnie od rodzaju obrabianego detalu.

Konieczne jest określenie środków ochrony operatora polegających na ocenie obciążenia drganiami w rzeczywistych warunkach pracy (należy przy tym uwzględnić wszystkie etapy cyklu pracy, na przykład czasy, w których elektronarzędzie jest wyłączone, a także te, w których jest ono wprawdzie włączone, ale pracuje bez obciążenia).

W miarę możliwości zminimalizuj obciążenie wibracjami i hałasem. Przykładowym sposobem na zmniejszenie obciążenia wibracjami może być noszenie rękawic podczas używania narzędzia, ograniczenie czasu pracy oraz stosowanie elementów wyposażenia w dobrym stanie.

9. Elementy wyposażenia – dostępne jako opcja

Artykuł Szczotka twarda (czarna) Nr artykułu 7064253

Grube, mocne włosie do trudnych miejsc
Idealna do płytek (ceramicznych) wewnątrz i na zewnątrz budynków, mebli drewnianych na terenie zewnętrznym, drewnianych tarasów, ścian, bram garażowych itp.

Szczotka średniej twardości (niebieska) 7064252

Włosie średniej grubości do czyszczenia ogólnego
Idealna do czyszczenia łodzi, płytek (ceramicznych) wewnątrz i na zewnątrz budynków, mebli drewnianych na terenach zewnętrznych, drewnianych tarasów, ścian, podłóg itp.


Szczotka miękka (czarna) 7064251

Miękkie włosie do delikatnych powierzchni
Idealna do czyszczenia łodzi, przyczep kempingowych i kamperów, płytek, powierzchni metalowych, domów mobilnych itp.

Przedłużka 7064279

Zwiększenie zasięgu o ok. 85 cm.

10. Utylizacja

 Szanowny Kliencie, pomóż zapobiegać powstawaniu odpadów. Jeśli kiedykolwiek będziesz chciał się rozstać z tym produktem, pamiętaj, że wiele z jego elementów jest wykonanych z cennych surowców i może zostać wykorzystanych ponownie. Nie wyrzucaj go więc do pojemnika na śmieci, lecz oddaj do punktu zbiórki surowców wtórnych.

10.1 Baterie

W przypadku utylizacji baterii pamiętaj o ochronie środowiska. Aby uzyskać informacje na temat przyjaznej dla środowiska utylizacji, zwróć się do lokalnych władz.

11. Deklaracja zgodności

My, **Batavia B.V., Weth. Wassebaliestraat 6d, NL-7951 SN Staphorst**, oświadczamy na naszą wyłączną odpowiedzialność, że produkt **Szczotka podwójna, nr artykułu 7064170, nr modelu BT-CTB001** spełnia najważniejsze wymagania dotyczące ochrony określone w dyrektywach europejskich: 2014/30/UE w sprawie kompatybilności elektromagnetycznej (EMC), 2006/42/WE w sprawie maszyn, RoHS: 2011/65/UE i ich zmianach. Do oceny zgodności zastosowano następujące normy zharmonizowane:

EN62841-1:2015+A15;

EN IEC 62841-2-3:2021;

ISO12100:2010;

AfPS GS 2019:01;

EN IEC 55014-1:2021;

EN IEC 55014-2:2021

Staphorst, 1 kwietnia 2022 roku



Meino Seinen, pełnomocnik ds. jakości
Batavia B.V., Weth. Wassebaliestraat 6d, 7951
SN Staphorst, Holandia

Produkt i instrukcja obsługi mogą ulec zmianie.
Dane techniczne mogą ulec zmianie bez
wcześniejszego powiadomienia.

ONE BATTERY FOR 30+ TOOLS

MAXPACK 18V

Cordless collection

30+
TOOLS



BATAVIA

2 YEAR WARRANTY

This product has got a 2 year warranty

Dear Client, if for any reason this product is not working, please ensure you contact our Client Service Centre. Ensure you have your original receipt of purchase. This warranty covers all defects in workmanship or materials in this Batavia product for a two year period from the date of purchase. The warranty does not cover any malfunction, or defect resulting from misuse, neglect, alteration, or repair.

Dieses Produkt hat 2 Jahre Garantie

Sehr geehrter Kunde, unsere Produkte unterliegen einer strengen Qualitätskontrolle. Sollte dieses Gerät nicht einwandfrei sein, so wenden Sie sich bitte immer zuerst an unseren Kunden-Service. Bitte bewahren Sie unbedingt den Kaufbeleg auf. Die Garantieleistung gilt nur für Material- oder Fabrikationsfehler. Ausgeschlossen sind Mängel die durch häufigen Gebrauch, missbräuchlicher und unsachgemäßer Behandlung oder Gewalteinwirkung verursacht worden sind.

Ce produit a 2 ans de garantie

Cher client, Si pour une raison quelconque, ce produit ne fonctionne pas, veuillez contacter notre Centre de service après-vente. Conservez le bon d'achat original. Cette garantie couvre tous les défauts de matériau et de main d'œuvre constatés sur ce produit Batavia pendant une période de deux ans à compter de la date d'achat. Les défauts de fonctionnement et autres résultant d'abus ou de mauvais emploi, de négligence, de modifications ou réparations non autorisées sont exclus de la garantie.

Dit product heeft 2 jaar garantie

Geachte klant, onze producten ondergaan een streng kwaliteitscontrole proces. Wanneer dit product niet correct functioneert, wend u zich alstublieft altijd eerst tot onze klantenservice. Bewaar altijd uw aankoopbewijs. De garantieservice is alleen van toepassing op materiaal- of productiefouten. Uitgesloten zijn gebreken veroorzaakt door intensief gebruik, misbruik en incorrecte behandeling of extern geweld.

Europe / Europa / L'Europe / أوروبا

**Customer Service / Kunden-Service / Service clientèle /
Klantenservice / Servizio clienti / Servicio de atención al cliente /
Serviço ao cliente / Obsługa klienta / عملاء عمال عماد**

✉ **service@batavia.eu**

Monday till Friday / Lundi jusqu'à Vendredi / Maandag t/m vrijdag /
Dal lunedì al venerdì / De lunes a viernes / Segunda a sexta-
feira / Od poniedziałku do piątku / من الإثنين إلى السبت / من 08.00 – 17.00

☎ (DE) **0800 664 7740**

☎ (EUR) **00800 664 774 00**



www.bataviapower.com

BATAVIA

2 YEAR WARRANTY

Questo prodotto è garantito per 2 anni

Gentile Cliente, se per una qualche ragione il prodotto non funziona, La invitiamo a mettersi in contatto con il nostro Centro Assistenza Clienti. Si accerti di avere la ricevuta originale dell'acquisto. La garanzia copre tutti i difetti di fabbricazione o di materiale in questo prodotto Batavia per un periodo di 2 anni dalla data di acquisto. La garanzia non copre malfunzionamenti o difetti derivanti da uso inappropriato, improprio, da modifiche o riparazioni.

Este producto tiene dos años de garantía

Estimado cliente: si por cualquier razón este producto no funciona, póngase en contacto con nuestro Centro de Atención al Cliente. Asegúrese de tener a mano la factura de compra original. Esta garantía cubre todos los defectos de mano de obra o materiales de este producto de Batavia por un período de dos años a partir de la fecha de compra. La garantía no cubre ningún mal funcionamiento o defectos resultantes del mal uso, negligencia, alteración o reparación.

Este produto tem uma garantia de 2 anos

Estimado Cliente, se, por qualquer motivo, este produto não estiver a funcionar devidamente, contacte o nosso Centro de Apoio ao Cliente. Certifique-se de que possui a prova de compra original. Esta garantia cobre todos os defeitos de fabrico ou materiais do produto Batavia durante um período de dois anos, a contar da data de compra. A garantia não cobre quaisquer avarias ou defeitos resultantes de um uso indevido, negligência, modificações ou reparações.

Produkt posiada 2-letnią gwarancję.

Szanowny Kliencie! Jeśli z jakiegokolwiek powodu niniejszy produkt nie działa, prosimy skontaktować się z naszym [Centrum obsługi serwisowej](#). Upewnij się, że posiadasz oryginalny dowód zakupu. Niniejsza gwarancja obejmuje wszystkie wady produkcyjne i materiałowe w produktach Batavia przez okres dwóch lat od daty zakupu. Gwarancja nie obejmuje żadnych usterek lub uszkodzeń wynikających z nieprawidłowego użycia, zaniedbania, modyfikacji lub naprawy.

Europe / Europa / L'Europe / أوروبا

Customer Service / Kunden-Service / Service clientèle /
Klantenservice / Servizio clienti / Servicio de atención al cliente /
Serviço ao cliente / Obsługa klienta / عملاء خدمة عملاء

✉ service@batavia.eu

Monday till Friday / Lundi jusqu'à Vendredi / Maandag t/m vrijdag /
Dal lunedì al venerdì / De lunes a viernes / Segunda a sexta-
feira / Od poniedziałku do piątku / من الإثنين إلى السبت / من 08.00 – 17.00

☎ (DE) 0800 664 7740

☎ (EUR) 00800 664 774 00



www.bataviapower.com